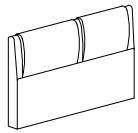
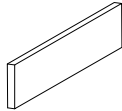


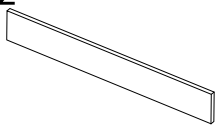
Ax1



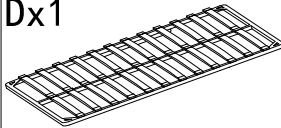
Bx1



Cx2



Dx1



Ex26



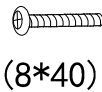
Fx1



Gx6



Hx8



Ix1



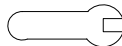
Jx2



Kx1



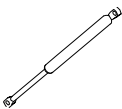
Lx1



Mx4



Nx2



Ox2



Px4



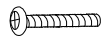
2.5cm

Qx4



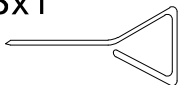
(5*50)

Rx4



(8*50)

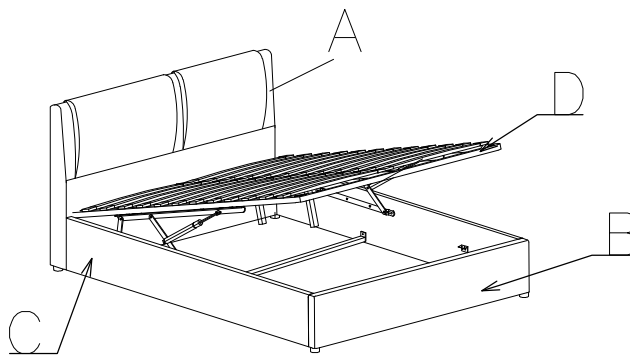
Sx1



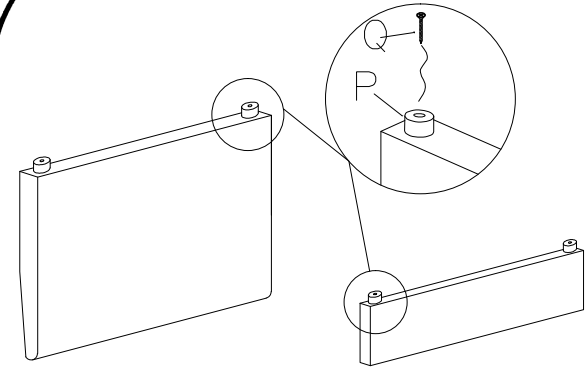
Tx2



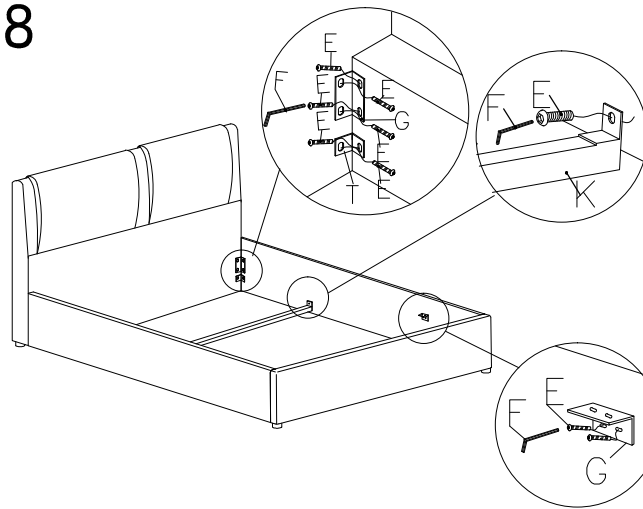
6



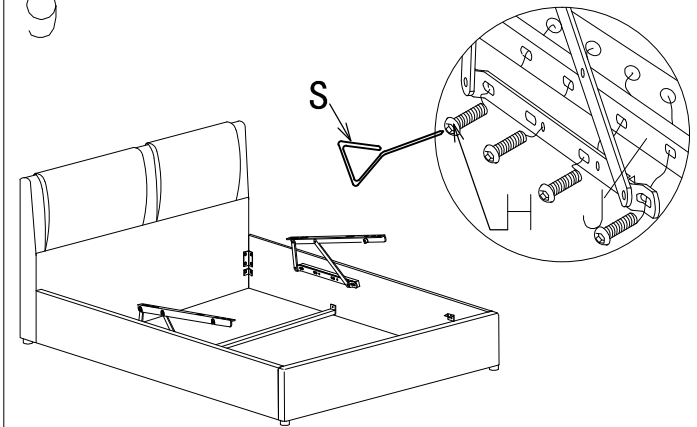
7



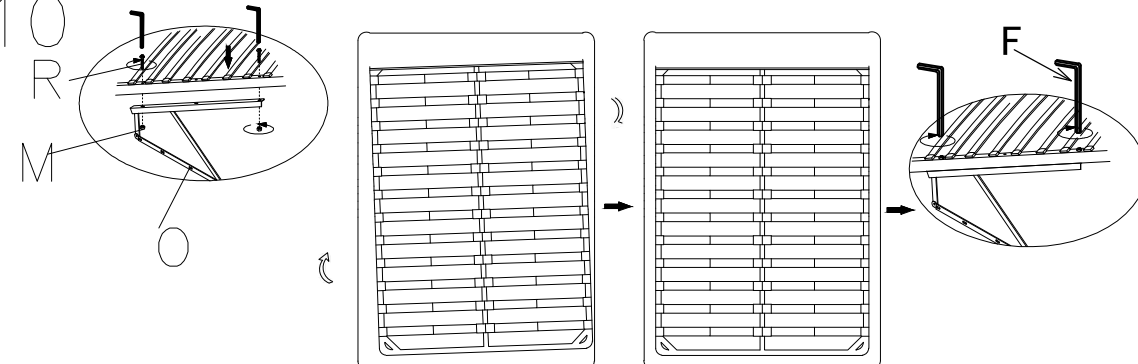
8



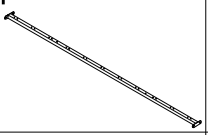
9



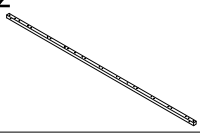
10



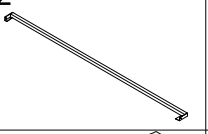
(1) x1



(2) x2



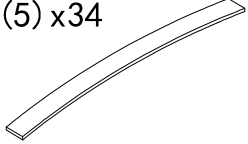
(3) x2



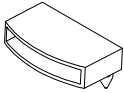
(4) x1



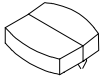
(5) x34



(6) x34



(7) x17



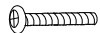
(8) x2



(9) x12



(10) x14

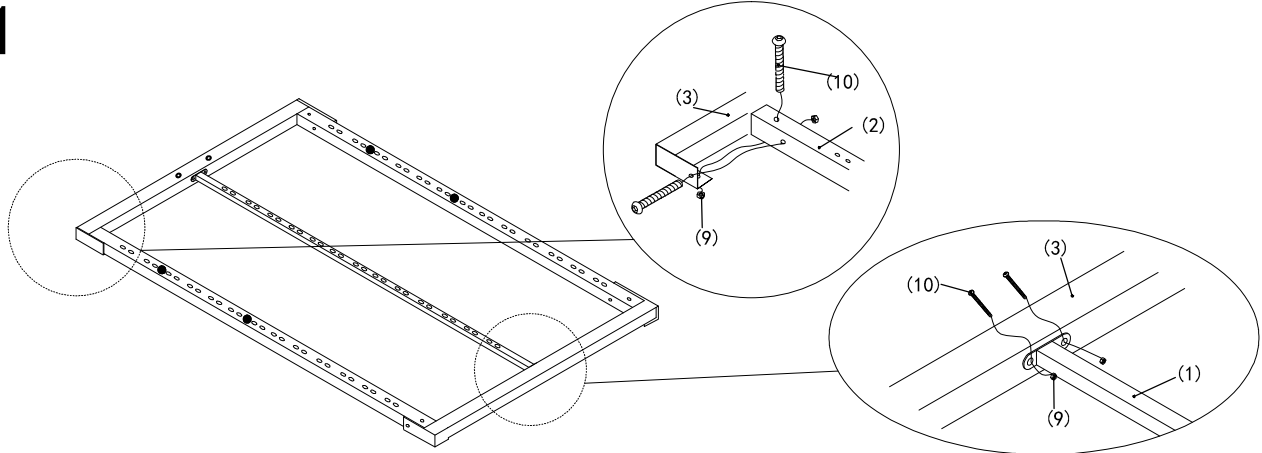


(8*45)

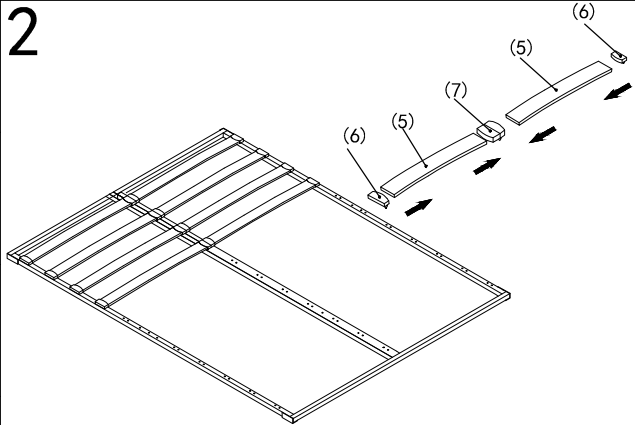
(11) x1



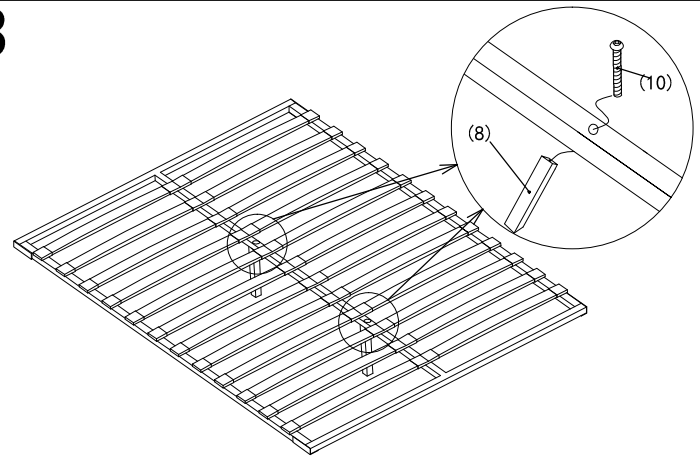
1



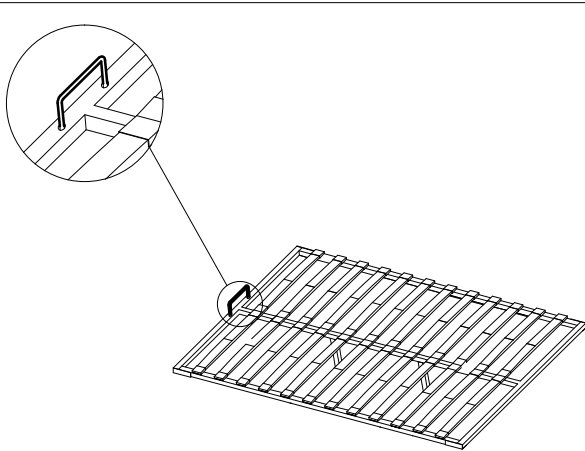
2



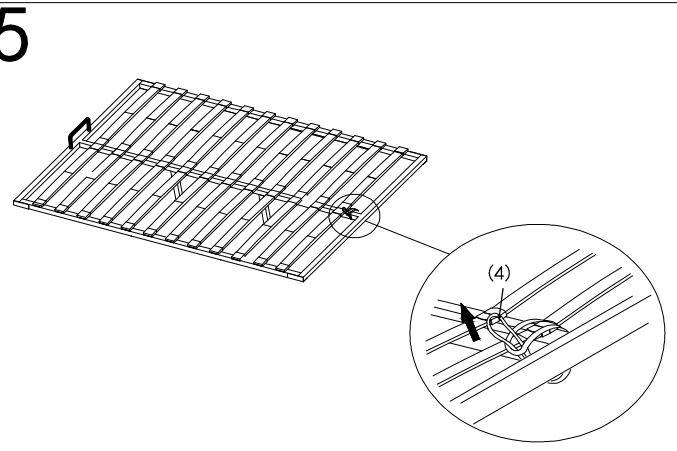
3



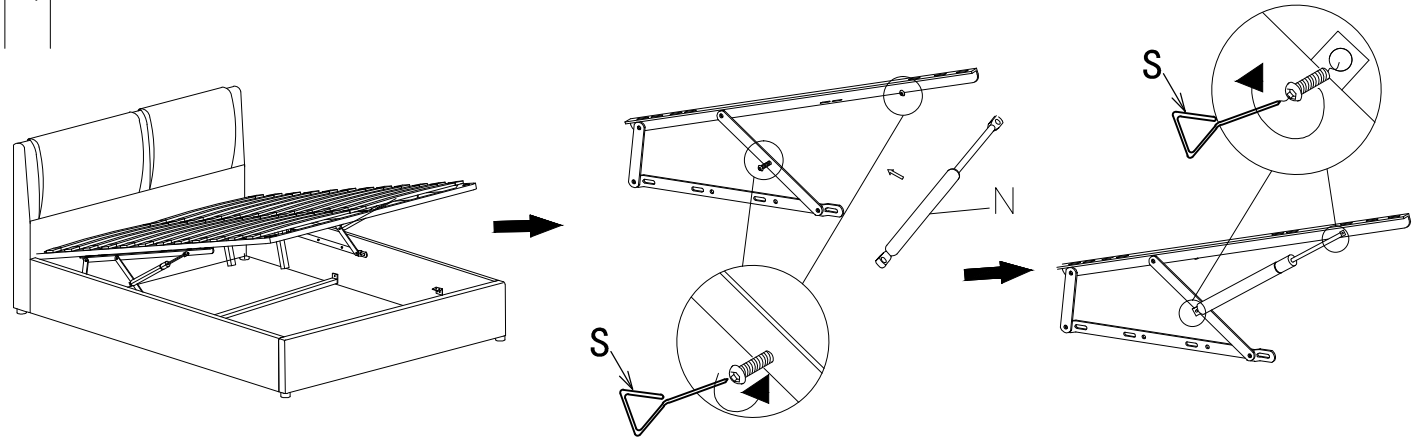
4



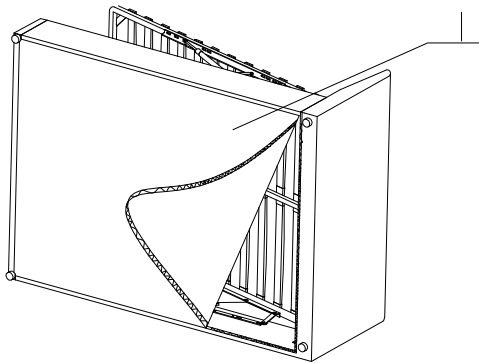
5



11



12



13

