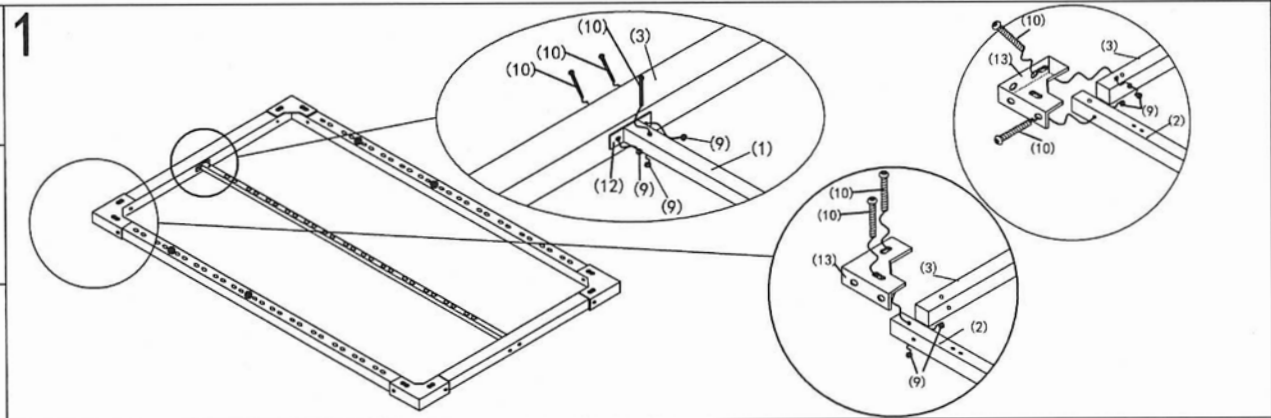
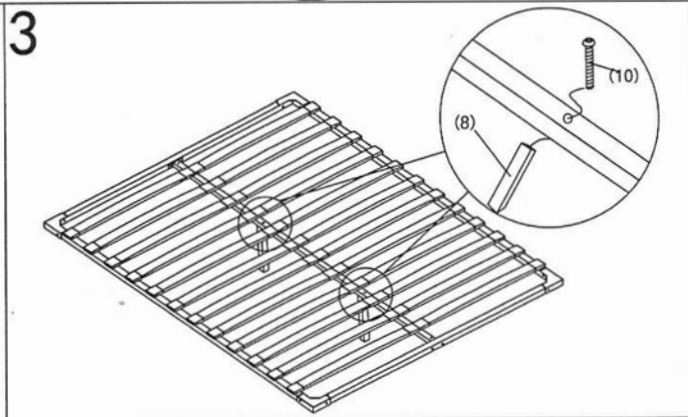
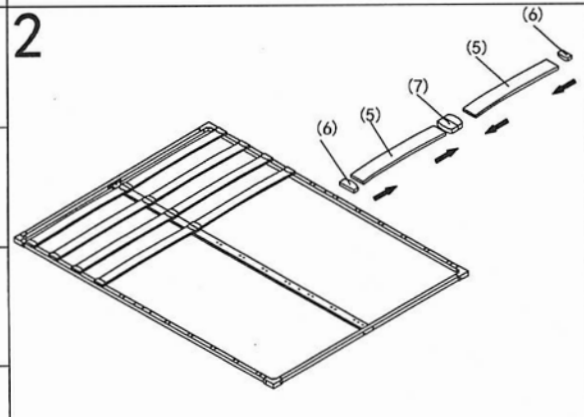


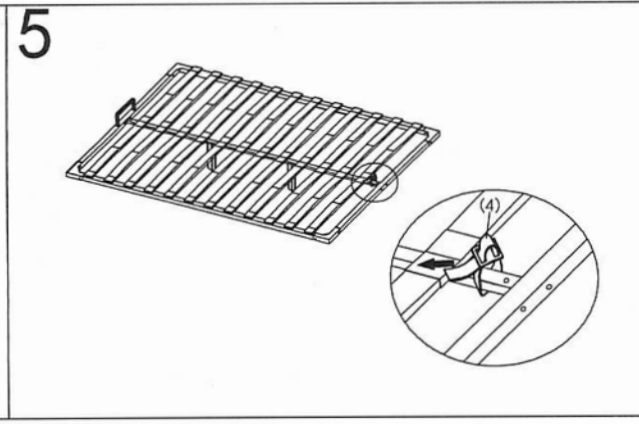
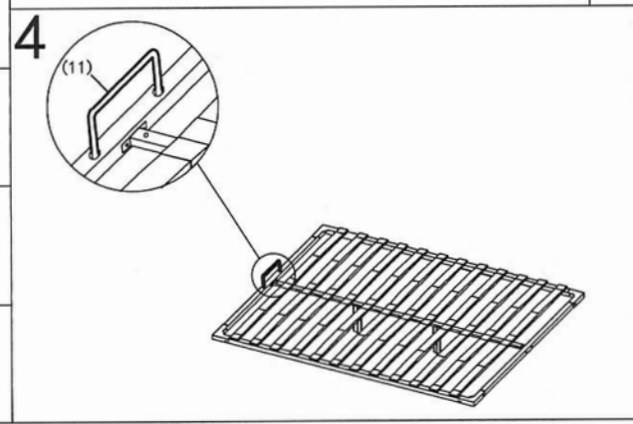
- |         |         |
|---------|---------|
| (1) x1  | (2) x2  |
| (3) x2  | (4) x1  |
| (5) x34 | (6) x34 |

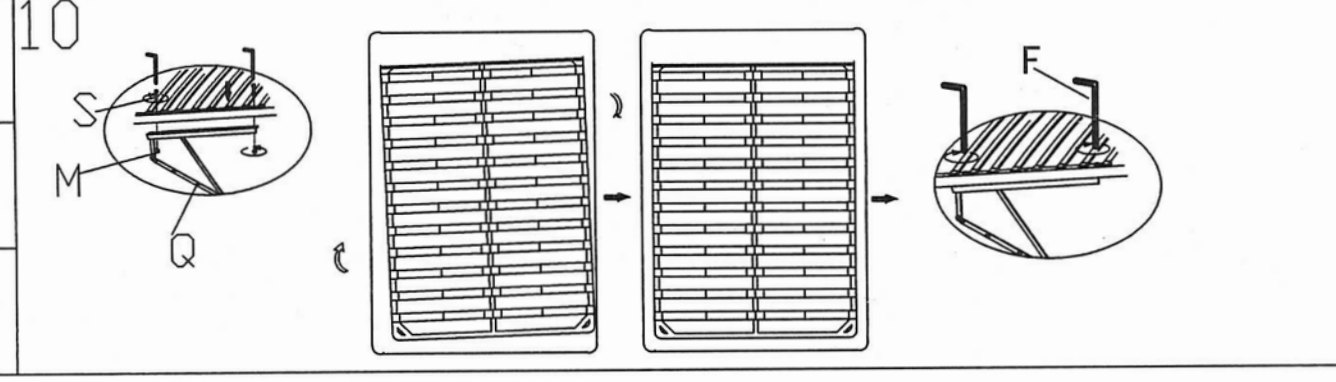
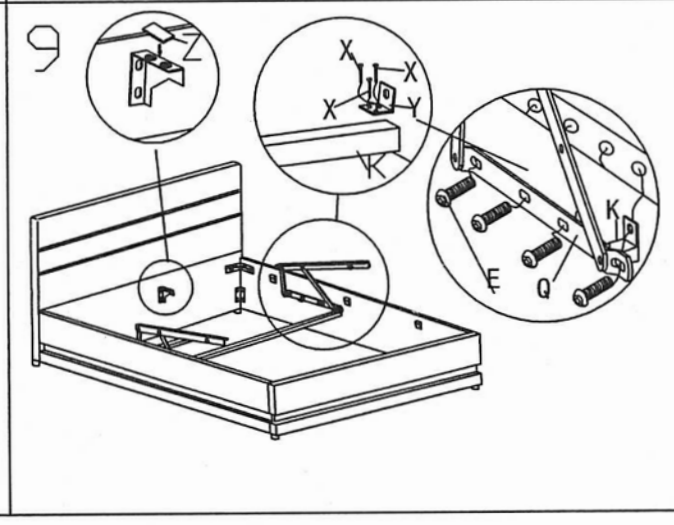
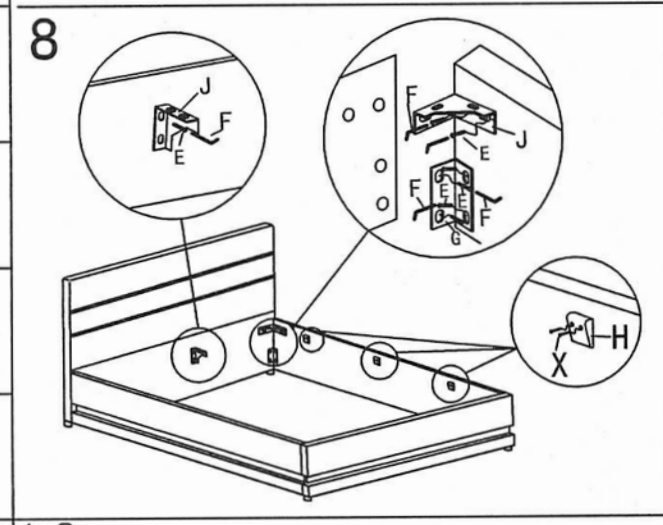
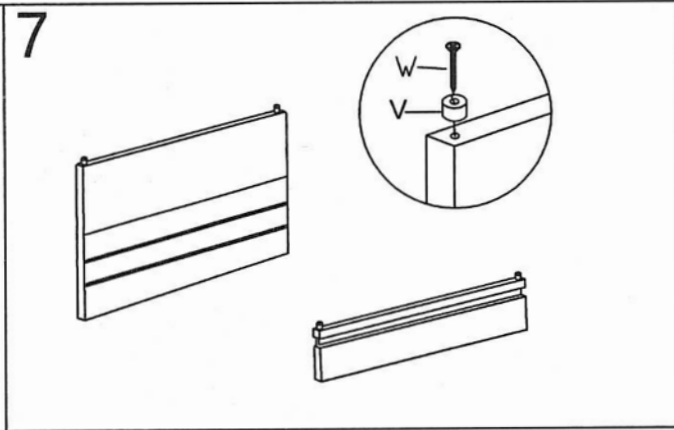
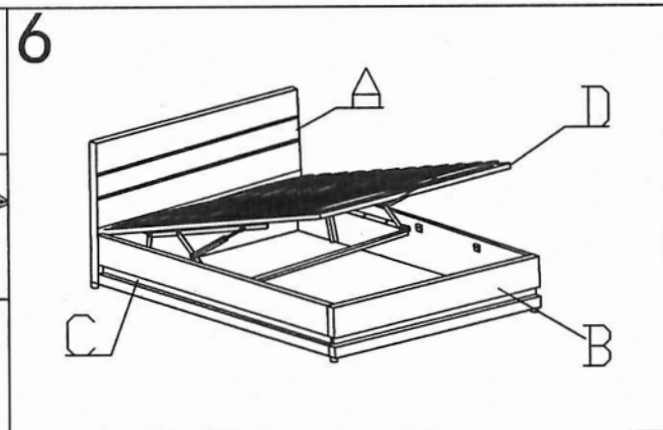
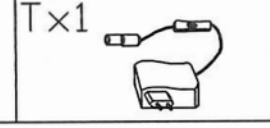
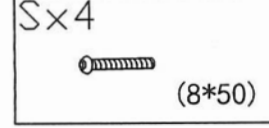
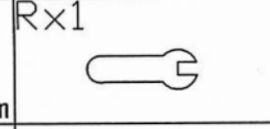
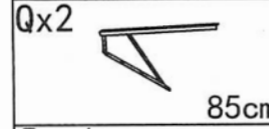
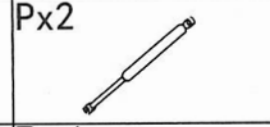
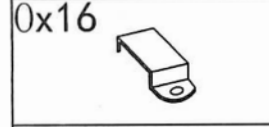
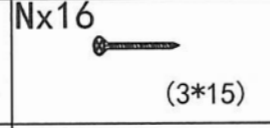
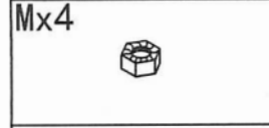
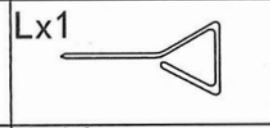
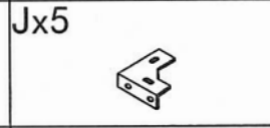
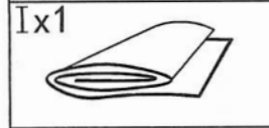
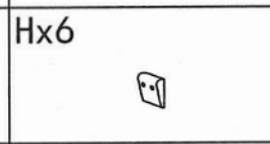
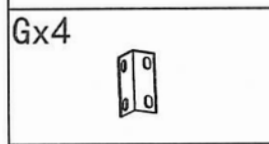
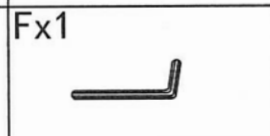
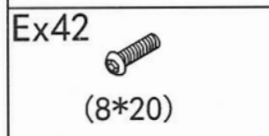
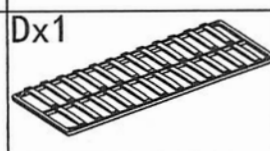
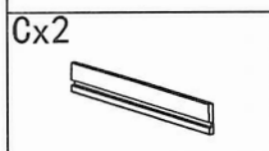
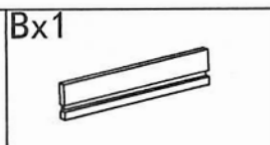
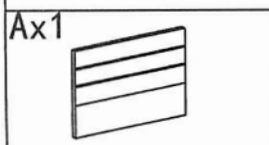


- |         |                    |
|---------|--------------------|
| (7) x17 | (8) x2             |
| (9) x22 | (10) x24<br>(8*40) |
| (11) x1 | (12) x2            |



- |         |  |
|---------|--|
| (13) x4 |  |
|         |  |
|         |  |
|         |  |





Ux1



Vx4



2.5cm

Wx4



(5\*50)

Xx18



(3\*20)

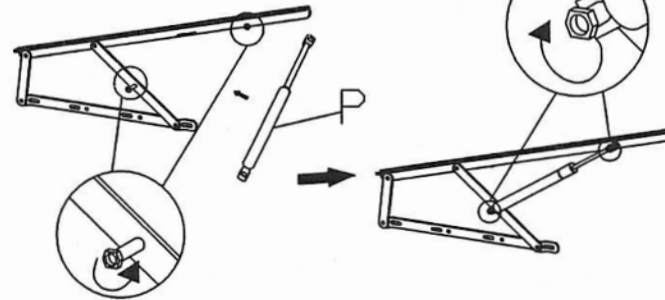
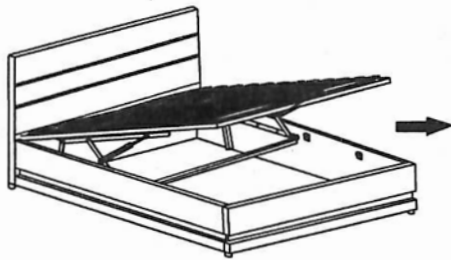
Yx2



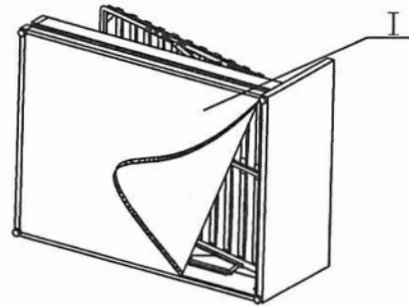
Zx1



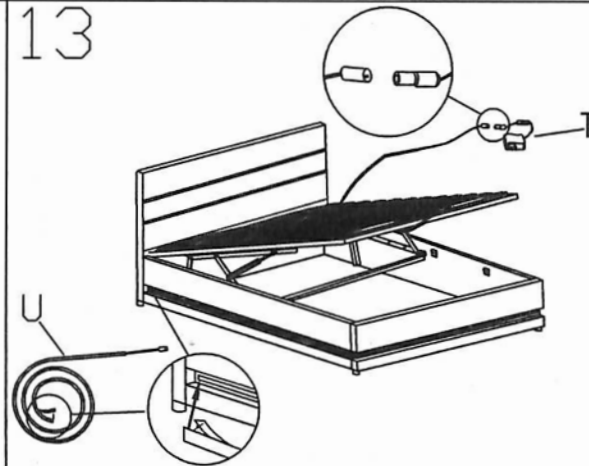
11



12



13



14

