



EN	SAND FILTERS	1 page
DE	SANDFILTER	15 Seite
HU	HOMOKSZŰRŐK	31 oldal
FR	FILTRES A SABLE	45 côté
RO	FILTRE DE NISIP	59 pagină

Installation, assembly and operation manual (original instruction manual)
Installations-, Einbau- und Bedienungsanleitung (Originalbetriebsanleitung)
Üzembe helyezési, összeszerelési és üzemeltetési kézikönyv (eredeti használati útmutató)
Manuel d'installation, d'assemblage et d'utilisation (manuel d'utilisation original)
Manual de instalare, asamblare și utilizare (manual de instructiuni originale)

Sand Filters Azuro 2m³/h Azuro 4m³/h for above-ground pools

Installation, assembly and operation manual



(original instruction manual)




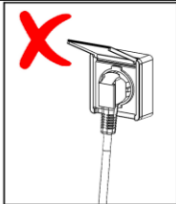
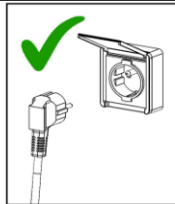



PRIOR TO INSTALLING AND USING THIS PRODUCT, THOROUGHLY READ, UNDERSTAND AND ADHERE ALL THE INSTRUCTIONS IN THE MANUAL. KEEP THE MANUAL FOR LATER REFERENCE.

General

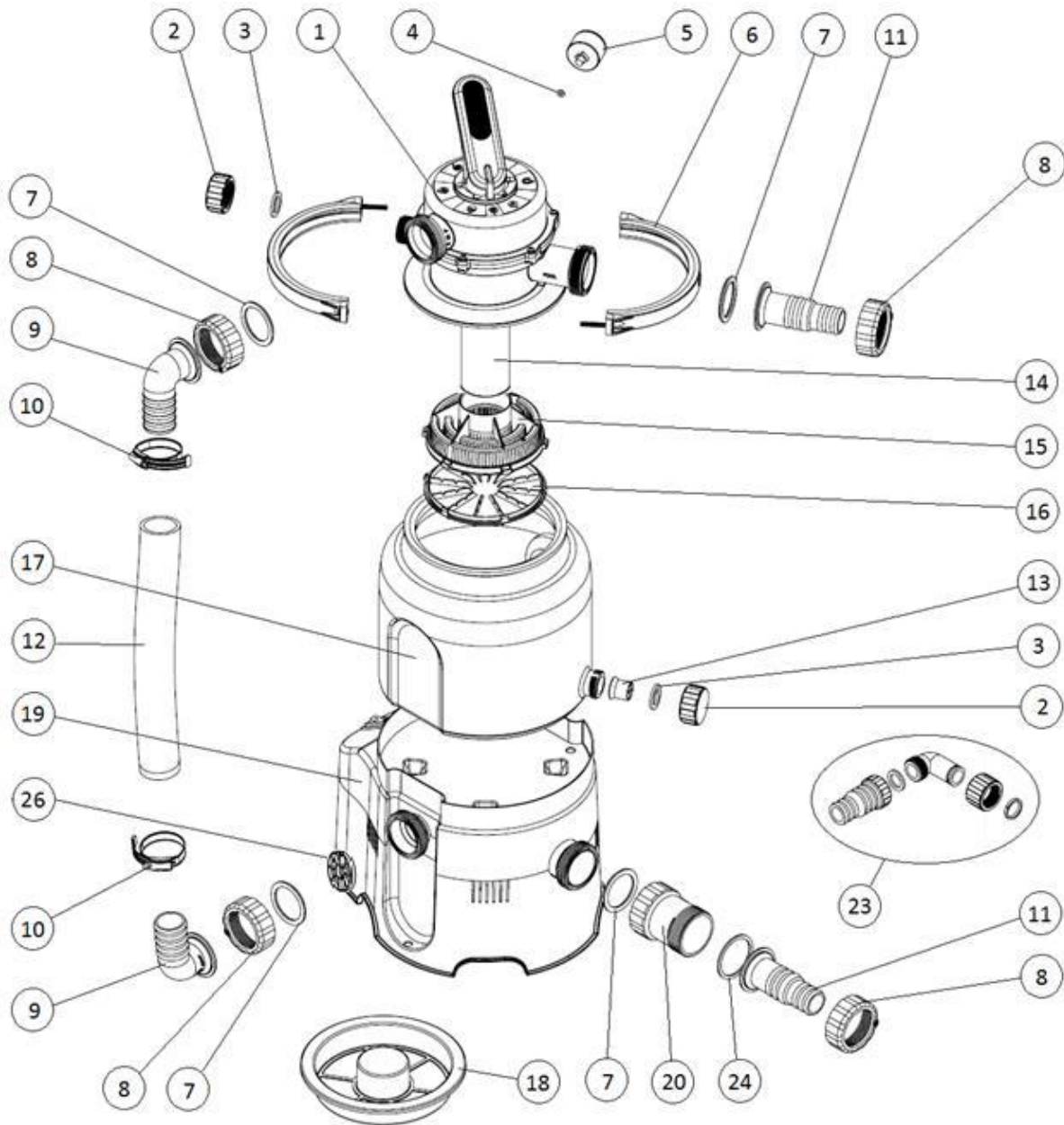
Made for Mountfield a.s. by Garsys s.r.o., industrial zone at the František mine, K Prádlu, 735 Horní Suchá, 735 35; country of origin: Czech Republic

Safety Instructions

	This symbol marks instructions if failure to comply can endanger personal health.		
	This symbol marks instructions if failure to comply can result in electrical shock injuries.		
	<u>WHEN SWIMMING IN THE POOL OR HANDLING IT IN ANY WAY, DISCONNECT THE APPLIANCE FROM THE POWER SUPPLY.</u>		
	READ AND OBSERVE ALL INSTRUCTIONS. Failure to comply with the instructions in this manual can result in injuries or even death caused by electric shock.		

- This appliance may be used by children 8 years of age and older and by persons with reduced physical, sensory or mental abilities or lack of experience and knowledge if they have been supervised or instructed in the safe use of the appliance and understand the resulting hazards. Children may not play with the appliance. Cleaning and user maintenance shall not be made by children without supervision.
- Make sure the appliance's power supply complies with the related ČSN standards, is at least 3.5 m from the pool and protected by a residual current device with tripping current of no more than 30 mA.
- The device is to be connected directly to the electrical socket. When using an extension, only use an extension that complies with ČSN standards for exterior applications.
- Do not attempt to disconnect the power supply plug from the socket with wet hands or when standing in water.
- Place the device so that children won't be able to use it as a tool to get into the pool.
- Keep children at a safe distance from the device and the power cord. Make sure children won't play with the appliance
- Do not dig the power cord of the appliance into the ground (to prevent its damage). Place it so that it cannot be damaged by lawnmowers, hedge trimmers or similar tools.
- Leave the power cords accessible only to the maintenance personnel (in case the power supply needs to be disconnected).
- Prior to persons people the pool, the appliance needs to be disconnected from the mains. The appliance may not be used if there are people in the pool
- Never operate the appliance without any water.
- Never operate the appliance if it's damaged or defective. Any defects are to be rectified immediately. Use original spare parts for maintenance and repair purposes.
- Never turn the appliance on if the six-way valve is in the CLOSED position or if the pipeline circuit is impassable; otherwise, there is a risk of damage, breaking, rupture or avulsion of its lid, which can result in bodily harm or property damage.
- Regularly check the filter sedimentation status, and clean the pre-filter and the skimmer basket in order to prevent pump damage and ensure proper system functioning.

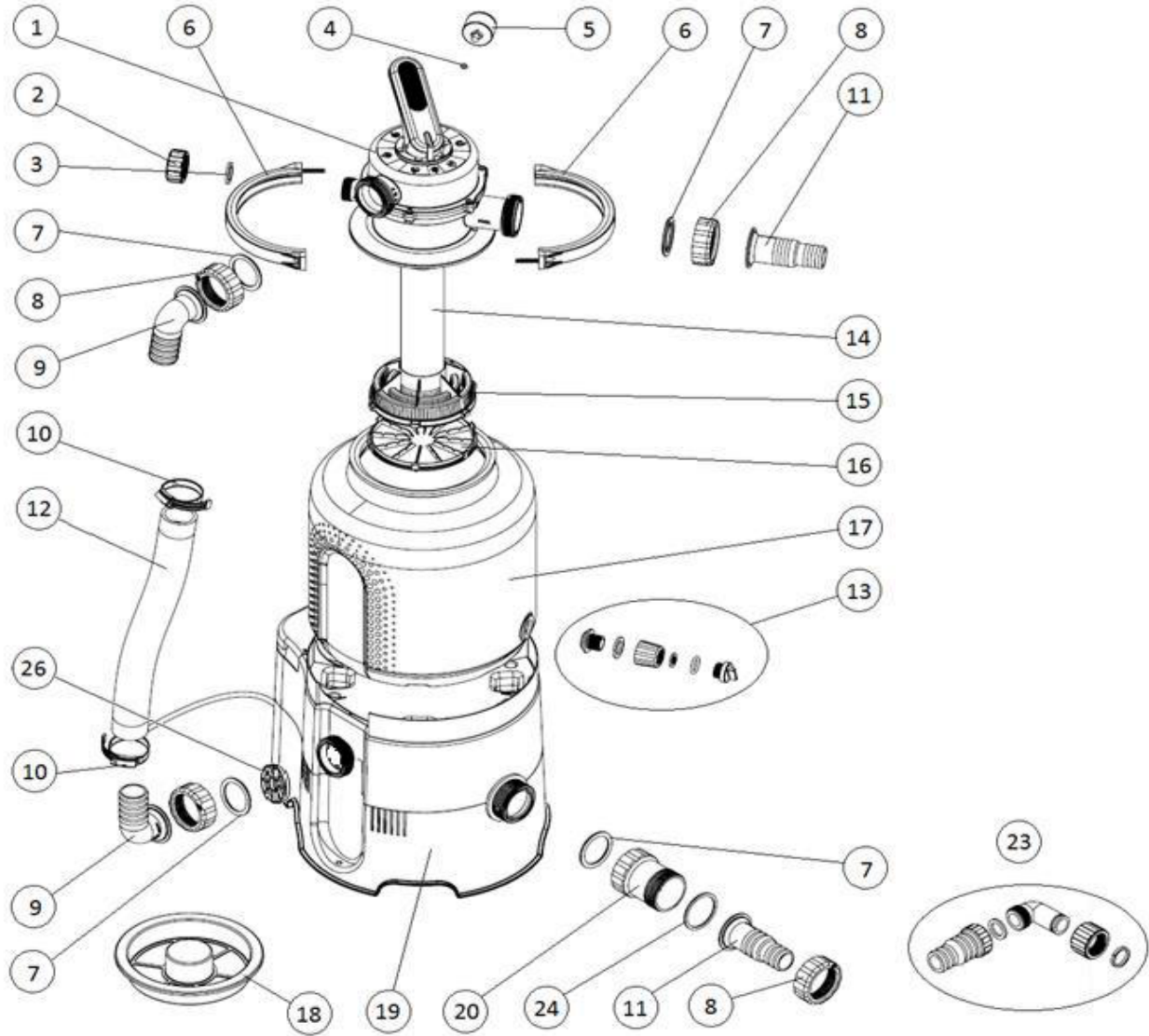
Component list – AZURO 2m³/h



Item	Name	Quantity
1	Multiport valve	1
2	Plug	2
3	Flat lid gasket	2
4	Flat pressure gauge gasket	1
5	Pressure gauge	1
6	Valve sleeve 1/2, incl. connection materials	2
7	Shaped arbour and elbow gaskets	4
8	Shaped arbour and elbow nuts	4
9	Elbow D38	2
10	Hose clamp 40-60	2
11	Arbour D32/38	2
12	Interconnecting hoses	1
13	Drainage strainer	1

Item	Name	Quantity
14	Suction pipe	1
15	Suction basket	1
16	Suction basket bottom	1
17	Vessel	1
18	Hopper	1
19	Base with pump	1
20	Pre-filter	1
21	Pool hose – 3 parts	2
22	Hose clamp 25-40	4
23	Waste set	1
24	Flat prefilter gasket	1
25	Teflon band	1
26	Foreign body intrusion prevention grate	1

Component list – AZURO 4m³/h



Item	Name	Quantity
1	Multiport valve	1
2	Plug	1
3	Flat lid gasket	1
4	Flat pressure gauge gasket	1
5	Pressure gauge	1
6	Valve sleeve 1/2, incl. connection materials	2
7	Shaped arbour and elbow gaskets	4
8	Shaped arbour and elbow nuts	4
9	Elbow D38	2
10	Hose clamp 40–60	2
11	Arbour D32/38	2
12	Interconnecting hoses	1
13	Drainage bolting	1

Item	Name	Quantity
14	Suction pipe	1
15	Suction basket	1
16	Suction basket bottom	1
17	Vessel	1
18	Hopper	1
19	Base with pump	1
20	Pre-filter	1
21	Pool hose – 3 parts	2
22	Hose clamp 25–40	4
23	Waste set	1
24	Flat prefilter gasket	1
25	Teflon band	1
26	Foreign body intrusion prevention grate	1

Purpose

This filtering unit is intended for water filtering in seasonal above-ground pools. It is not intended for pools operated throughout the year. The filtering pump is not self-suction, which is why the filtering needs to be installed below the water level in the pool, with natural watering.

WARNING: The depictions in this manual are merely illustrative and can differ from the actual product. We reserve the right to alter the product partially or completely without prior notice.

Filtering unit usage conditions:

- water pH of 6–8.5
- max. chlorine content of 10 mg/l
- max salt content of 0.5%

Prior to Commissioning

Prior to the completion and commissioning of the appliance, unpack all of its components.

Keep the filtering equipment at a safe distance from its surroundings (allowing safe operation).

The filtering equipment needs to be positioned on a platform (such as a concrete boards etc.). The platform should be laid and levelled using a spirit level. The appliance should not be standing in grass, as it could overheat. Make sure the appliance does not get flooded. Flooding could be damage the machine or expose people to danger of electrical shock.

If the pool has already been partially or completely filled, you need to position the filtering appliance into a filtering shaft, which will be interconnected with the pool. If your filtering equipment has been placed in the shaft, make sure the shaft cannot be flooded with water. In order to prevent the flooding, it is recommended that you gravel it (so that small amounts of water are absorbed) and create a direct sewer drainage. It is important to ensure good ventilation for the shaft, otherwise the appliance may be damaged due to water condensation.

The required accessories, such as more hoses, hose clamps and filtering sand (not included in the delivery) are available from the vendor.



Must not be dry-operated (with no water)!!! Using the filtering equipment in such way voids the warranty.

Technical Data

	AZURO 2m³/h	AZURO 4m³/h
Voltage	230 V / 50 Hz	230 V / 50 Hz
Power consumption	85 W	190 W
System flow-through	2 m ³ /h	4 m ³ /h
Protection class	IP X5	IP X5
Discharge	1.5 m	1.5 m
Filter diameter	143 mm	143 mm
Effective filtering surface	0.036 m ²	0.036 m ²
Operating pressure	0.2 bar	0.3 bar
Maximum working pressure	0.4 bar	0.6 bar
Maximum water temperature	35 °C	35 °C
Sand load	10 kg	14 kg
Granularity	0.6 - 1.2 mm	0.6 - 1.2 mm



Protect the environment! Do NOT dispose of this product with household waste. The product contains electrical/electronic components. Pursuant to the European directive 2012/19/EU, electrical and electronic devices may not be disposed of as communal waste – it is necessary to turn them in for environmentally friendly disposal at dedicated collection points. Information about these points are available at your city hall.

Assembly

Note: Since all connections have gaskets, there is no need to tighten the nuts too much. This could damage plastic parts.

Note: You'll need a cross-point screwdriver for the assembly.

1. Mounting of the drainage bolting into the vessel.

Put the threaded counterpart through the vessel's drainage opening from the inside (**FIG. 1.1**). Put a gasket over the protruding thread and screw the socket on (**FIG. 1.2**). Put the sand strainer into it. Push the strainer inside by screwing on the lid with the sealing O-ring (**FIG. 1.3**). Hand-tightening is sufficient for connection sealing. You might damage the parts if you use pliers.

1.A For 10L vessels with drainage sockets, proceed as follows:

Put the drainage strainer through the vessel's drainage opening from the inside (**FIG. 1.4**). Screw the lid with a gasket onto the socket (**FIG. 1.5**). Hand-tightening is sufficient for connection sealing. You might damage the parts if you use pliers.

2. Suction basket completion

Connect the basket bottom to the suction basket itself by snapping in the 6 locks around its circumference. Put a suction pipe into the completed suction basket (**FIG. 2.1**). Put the unit into the empty vessel (**FIG. 2.2**) and fix its position by putting the hopper on (**FIG. 2.3**). The vessel is now ready for filling.

3. Filling with Sand

Prior to the filling, we recommend that you put the vessel onto the pump platform. The filled vessel is difficult to handle. Fit the vessel side skims with the skims in the stand; the drainage bolting must point away from the switch (**FIG. 3.1**).

With the hopper put on, fill the vessel with a required amount of sand (**FIG. 3.2**). The sand level in the vessel should be reaching the top of the side skims (**FIG. 3.3**). Afterwards, take the hopper off and remove grains of sand and other impurities from the sealing surface of the vessel socket.

4. Multiport Valve Installation

Put an O-ring through the bottom of the valve and put the valve onto the socket of the filled vessel. Direct the valve so that its PUMP/ČERP socket is pointing in the same direction as the pump outlet in the vessel stand. Afterwards, put both sleeve halves onto the vessel recess, connect with bolts (**FIG. 4.3**) and tighten evenly.

Insert a small rubber gasket into the pressure gauge opening, screw the pressure gauge body (**FIG. 4.1**) on with your hand and tighten lightly.

!!! Make sure the screwing is done properly; otherwise, you may damage the fine thread!!!

Screw the lid with a gasket onto the WASTE/ODPAD port (**FIG. 4.2**).

5. Connection Hose Installation

Put the constraining clamps onto the hose, put elbows with swivel nuts into both ends of the hose (**FIG. 5.1**). Insert the particle grate into the side outlet of the pump (**FIG. 5.2**); afterwards connect the prepared hose to this outlet and the PUMP/ČERP port of the valve using swivel nuts and gaskets (**FIG. 5.3**).

!!! The hose clamps are only to be tightened once the swivel nuts have been tightened!!!

6. Prefilter and Arbour Assembly

Mount the transparent prefilter onto the suction socket of the pump and then mount the hose connection arbour onto the prefilter (**FIG. 6.1**).

!!! Pay attention to the shape of the used gasket!!!

6.A For Azuro 6m³/h + Timer filtering equipment with a large prefilter, proceed as follows:

Pull the prefilter body along with a gasket over the pump socket and fix using a swivel nut inside the prefilter; put the impurity basket into the prefilter and close with a lid with the O-ring. Use a swivel nut to mount the elbow with a gasket onto the socket (**FIG. 6.2**).

!!! Pay attention to the shape of the used gasket!!!

Screw the second connecting hose arbour onto the POOL/BAZÉN port of the valve (**FIG. 6.3**) / elbow (**FIG. 6.4**).

7. Connecting the appliance to the pool – see FIG. 7.1. and 7.2.

Use suitable pool hoses and hose clamps to connect the appliance to the pool.

Product operation

1. Pump Watering/venting

Remove the lid off the “ODPAD/WASTE” port (FIG. 8.1), turn the lever of the valve to the VENTING position and wait until water starts pouring out of the port (FIG. 8.2). Afterwards, switch the valve lever to the CLOSED position and screw the lid back on. Finally, switch the lever to the FILTERING position. You can now run the filtering.

Prior to the first use or after a sand filling replacement, you first need to rinse the sand.

2. Start-up

Use the switch at the rear of the filtering equipment to activate the device.

ON – FIG. 9.1

OFF – FIG. 9.2



Prior to plugging the appliance into the mains, check the valve position!

Never turn the appliance on if the six-way valve is in the CLOSED position or if the circulation pipeline is impassable.

2.A Azuro equipment with the “T” marking features an adjustable timer (FIG. 9.3):

Use the moving switch to select the required functionality. The timer can be set by 20-minute steps in a 24-hour cycle. One step corresponds to 20 minutes, which makes 3 steps equal to 1 hour. The LED indicator indicates the device is running.

3. Operation

Set the valve to the FILTERING position and turn the appliance on. Regularly check the filtering flow-through (pressure on the pressure gauge) and rinse the sand based on the measured values.

It is advisable to set a filtering schedule corresponding to the size and usage of the pool. Proper filtering is contingent upon having the water filtered at least once a day. Therefore, the minimum operation time of the filtering equipment is the volume of the pool divided by the flow-through of the filtering equipment.

Example: When using AZURO 2m³/hr to filter a 10m³ pool, the minimum time would be 5 hours.

4. Prefilter Cleaning

If the prefilter is visibly dirty or the functionality of the filtering equipment is diminished, clean the prefilter with a stream of water (FIG. 10.1). AZURO 6m³/h + Timer (FIG. 10.2).


5. Backwash Sand

It is possible to tell by the vessel pressure when it's necessary to rinse the filtering medium. After the first running with clean filtering sand, make note of the pressure value; if the pressure later rises by more than one unit on the scale, you need to BACKWASH (2–3 minutes) + RINSE (about 30 seconds) – see “Valve Positions”. If filtering is performed every day, it is recommended to rinse the sand at least once per week.

For the filtering functions such as BACKWASH, RINSE and WASTE, you can use the waste set – screw the arbour (or an elbow with the waste hose arbour) directly onto the “ODPAD/WASTE” port instead of a cap.

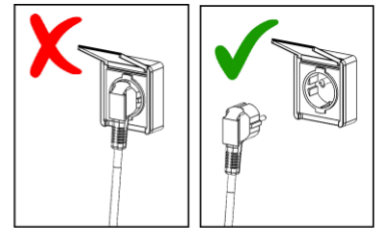
WHEN DRAINING WATER FROM THE “ODPAD/WASTE” PORT, MAKE SURE YOU COMPLY WITH ALL LEGAL REQUIREMENTS FOR WASTE WATER HANDLING. DO NOT LET THE WATER INTO PLACES WHERE IT COULD CAUSE DAMAGE BY FLOODING. THE “ODPAD/WASTE” PORT CAN BE FITTED WITH WASTE HOSE CONNECTION THREADING. WHEN FILTERING, THE “ODPAD/WASTE” PORT SHOULD BE CLOSED BY A CAP.

Controlling the Multi-port Valve



Always disconnect the appliance from the power supply prior to valve position changes.

Prior to the handling, wait for about half a minute after the pump has been turned off to let the impurities and sand set down.



Push the lever downwards (**FIG. 12.1**), turn it to the required position (**FIG. 12.2**).

Care

Visible impurities are removed using the filtering system. However, that is not the case for algae, bacteria and micro-organisms, which are a constant obstacle when striving for clean, safe water in your pool. There are many specialized preventive products, which in correct concentrations work against all of the above and keep the water in your pool hygienically sound and clean.

Maintenance

During the swimming season, regularly check the operation of the appliance. It is important for identification and remedy of potential defects. The supplier cannot be held liable for damage caused by filtering unit or electrical equipment defects.

Rinse the sand on regular basis. If the rinsing does not improve the permeability of the filtering sand (i.e. the pressure gauge value remains high), change the sand.

Do not use solvents to clean the filter cap or the vessel itself, as you could damage its surface (it could lose its gloss, transparency etc.).

Winterizing

At the end of the season, it is necessary to clean, drain, disassemble and store the filtering equipment. Disconnect the filtering equipment from the pool and use the draining valve, which is located at the bottom of the filtering vessel, to drain the water from the vessel.

Open the filter vessel and take the sand out. Clean the sand and remove any lumps or gobs. Change the sand in the vessel on regular basis.

As preparation for winter, re-assemble the filtering equipment and store it in a winter-resistant and dry room. Turn the valve lever to the VENTING/WINTERIZING position, which is used to winterize the filtering equipment.

Warranty Terms and Servicing

Warranty conditions apply as described in the seller's warranty certificate.

In case you need an advice, service support or a spare part, contact your dealer. Use original spare parts for maintenance and repair purposes.

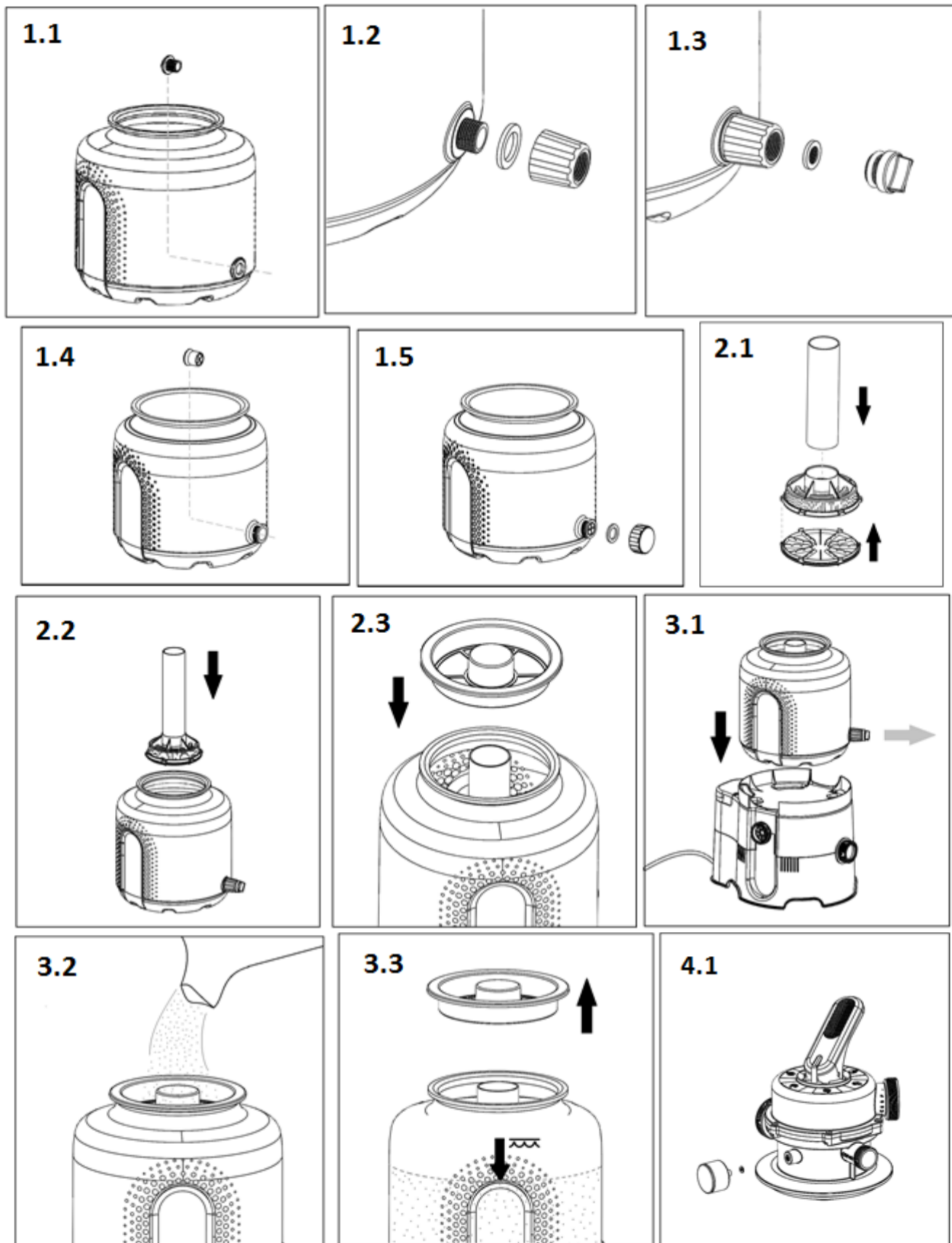
Product Tests

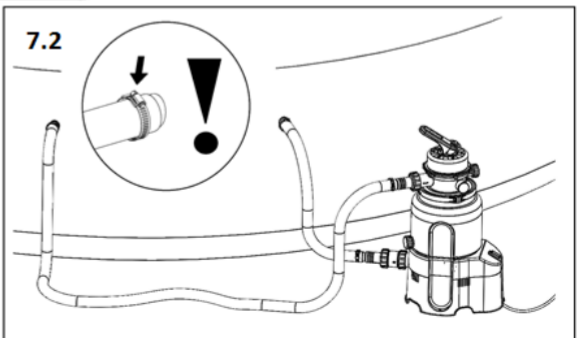
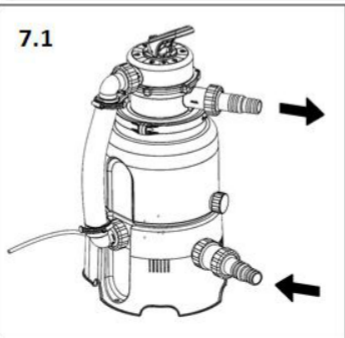
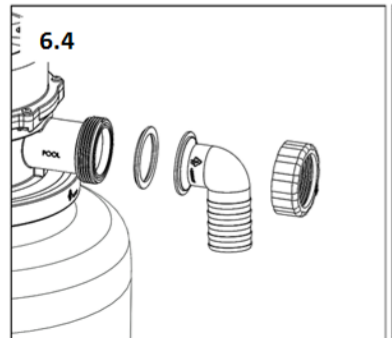
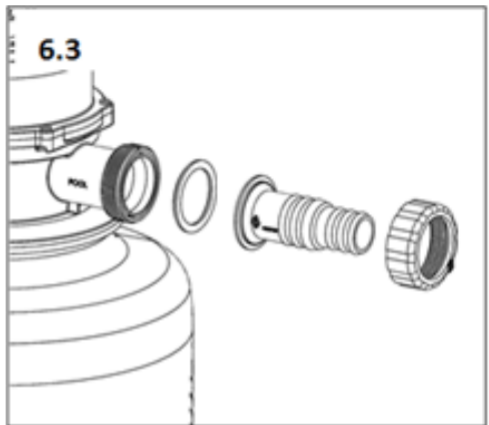
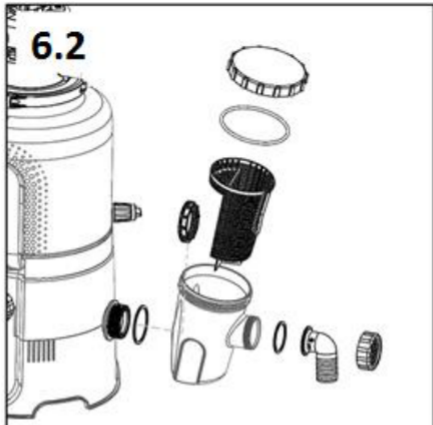
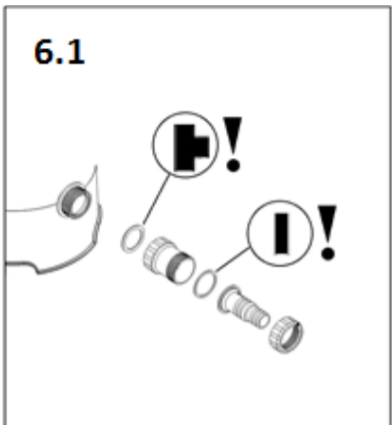
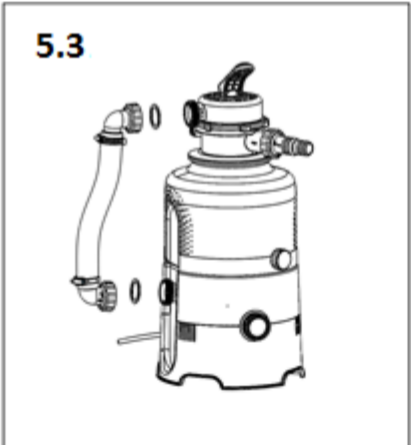
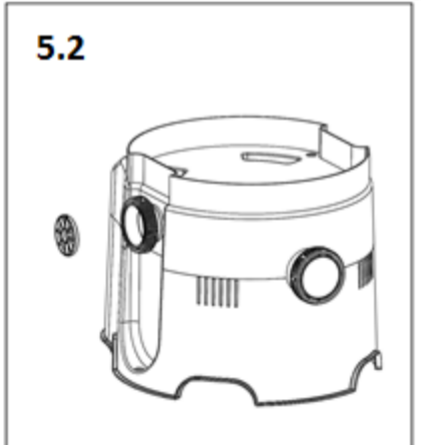
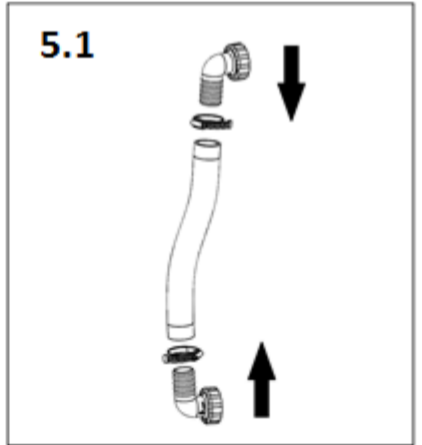
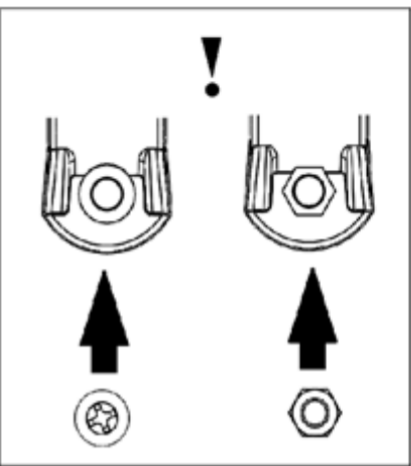
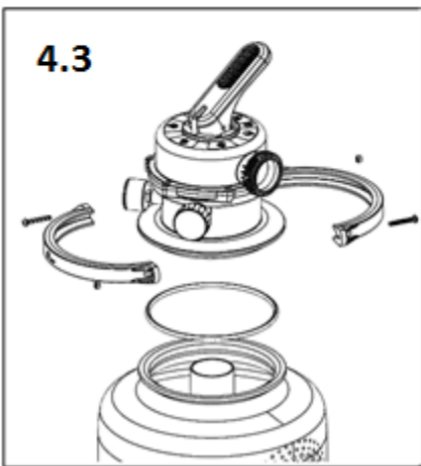
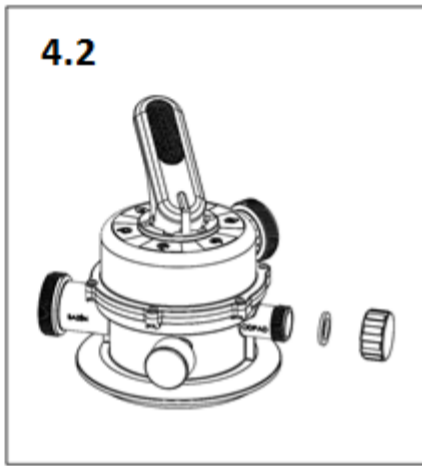
The product is a subject to EN 60335-2-41 and in conformity with the directives 2006/42/ES (the machinery directive), 2014/30/EU (electromagnetic compatibility), 2014/35/EU (electrical devices) and the requirements of the RoHS directive on hazardous substance content in electrical devices. The product has been tested in the Government Testing

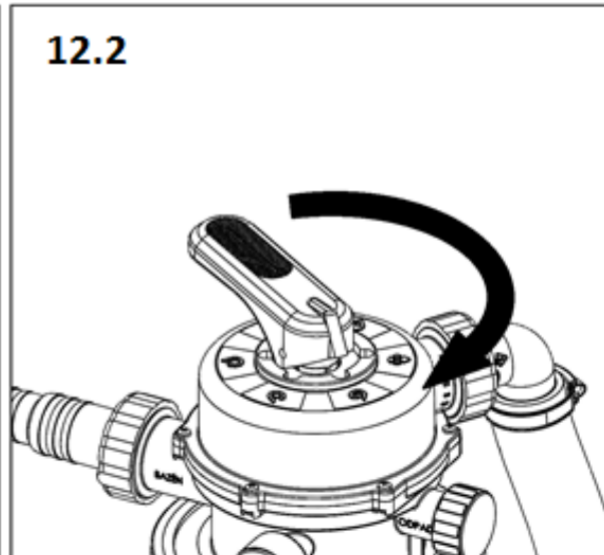
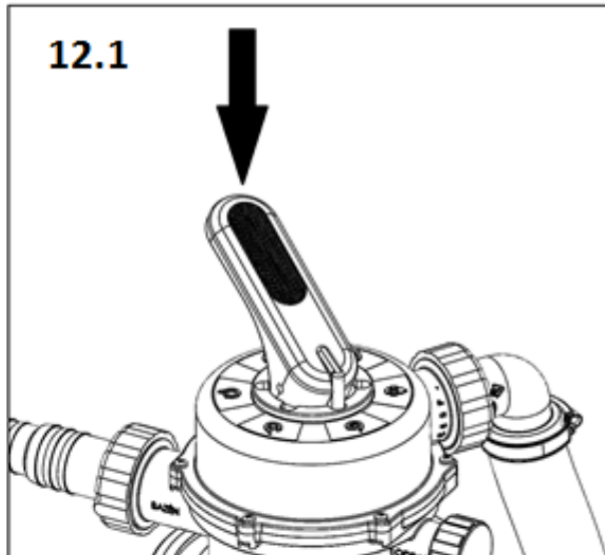
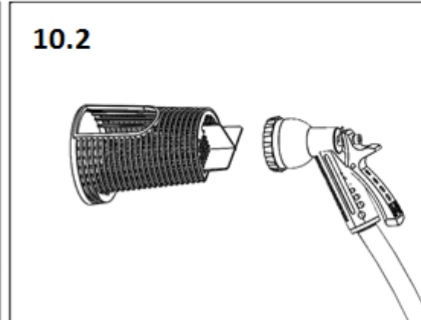
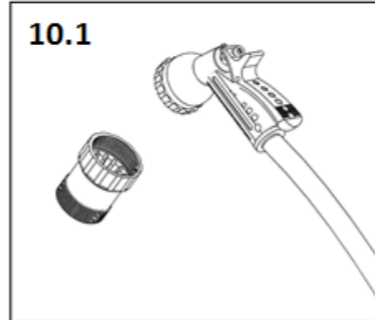
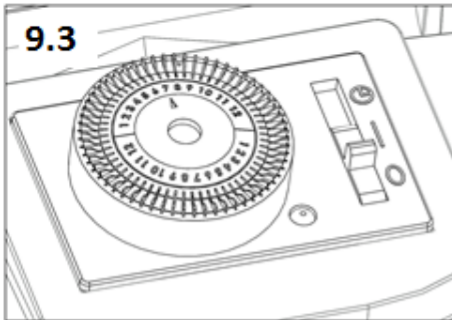
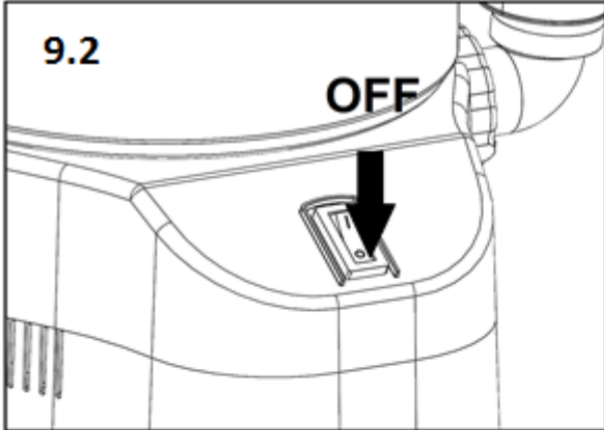
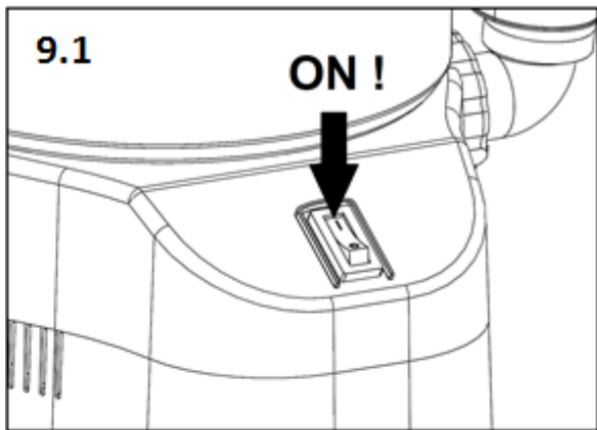
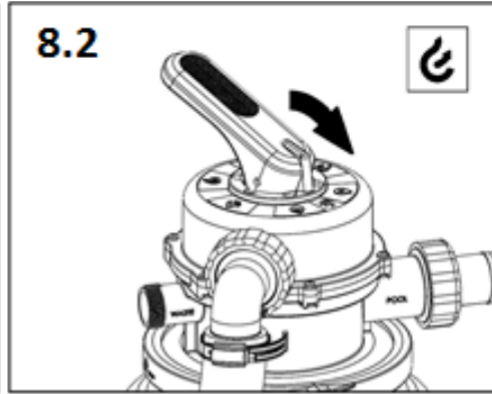
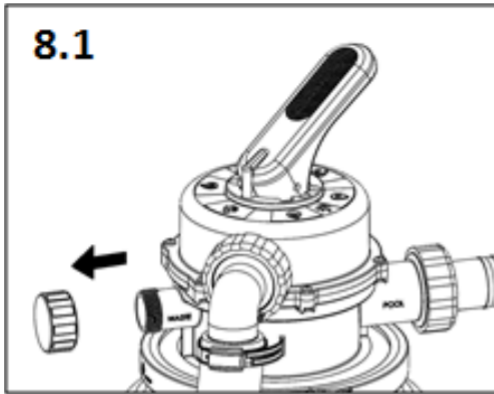
Laboratory of Machines

Troubleshooting

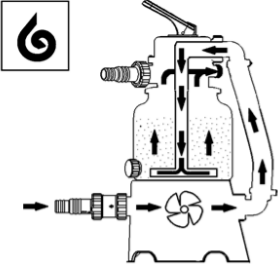
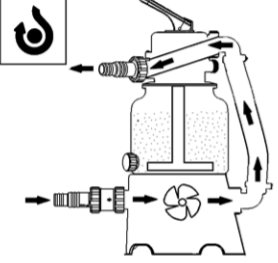
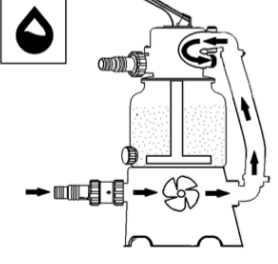
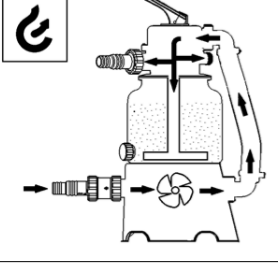
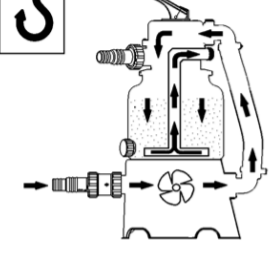
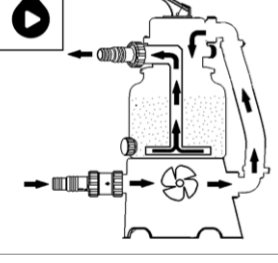
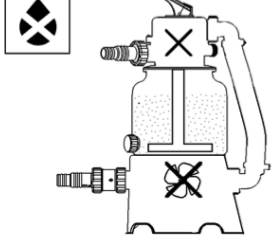
Low or no flow-through	The filtering equipment has not been vented.	Vent the filtering equipment.
	Valve lever in the CLOSED position	Switch to the FILTERING position.
	Sand is too dirty.	RINSE or change the sand.
	Clogged prefilter	Demount and rinse the prefilter.
	Clogged skimmer	Demount and rinse the skimmer basket.
	Damaged filtering equipment	Please contact servicing.
Sand is getting to the pool.	Handling the valve lever when filtering is underway	Turn the filtering off prior to handling the lever.
	Low granularity of the filtering sand	The recommended granularity is 0.6–1.2 mm.
	High sand level in the vessel	Reduce the sand level in the vessel
The pump sucks air in (bubbles are forming in the system)	Insufficiently tightened connections	Carefully tighten the swivel nuts.
	Leaks in the prefilter connections	Re-seal the connections.
	Damaged sealing	Check the connection sealing “upstream” of the pump.
Water leaks from the appliance	Leaking connections	Tighten/re-seal the connections.
	Damaged sealing	Check the sealing.
Water in the pool cannot be cleaned.	Insufficient chemical treatment for the water	Check the pH and chlorine content in the water.
	Insufficient filtering time	Extend the filtering time.







Valve Positions

	<p>BACKWASH – water flows through the sand in the opposite direction, washing away impurities; instead of flowing back to the pool, it is drained through the “WASTE” port – remove the cap!</p>
	<p>BYPASS – water flows through the appliance, bypassing the sand filling.</p>
	<p>WASTE – water bypasses the sand filling and flows into the “WASTE” port – remove the cap! This position is used to reduce water level in the pool or extraction of rough impurities.</p>
	<p>VENTING/WINTERIZING – in this position, the valve is permeable in all directions; the escaping air causes watering of the pump chamber. The position is also used for winterizing or long-term filtering equipment shutdowns.</p>
	<p>RINSE – this position is used when running for the first time with a new sand filling or after BACKWASHING; the stirred sand sets down and remaining impurities are flushed through the “WASTE” port – remove the cap!</p>
	<p>FILTERING – primary position of the valve, the water is filtered through the sand filling and returned to the pool.</p>
	<p>CLOSED – do not turn the appliance on!</p>

SANDFILTER

Azuro 2m³/h

Azuro 4m³/h

Für Aufstellpool

Installations-, Einbau- und Bedienungsanleitung
(Originalbetriebsanleitung)



**VOR INSTALLATION UND GEBRAUCH DIESES PRODUKTES BITTE ALLE IN
DIESER BETRIEBSANLEITUNG ANGEFÜHRTE ANWEISUNGEN
DURCHLESEN, VERSTEHEN UND BEACHTEN. BEWAHREN SIE DIESE
ANLEITUNG FÜR EVENTUELLEN KÜNFTIGEN BEDARF AUF.**

Allgemeines

Für Mountfield a.s. von Garsys s.r.o., Gewerbegebiet am Bergwerk František, Straße K Prádlu, 735 Horní Suchá, 735 35; Herkunftsland: Tschechische Republik hergestellt.

Sicherheitshinweise



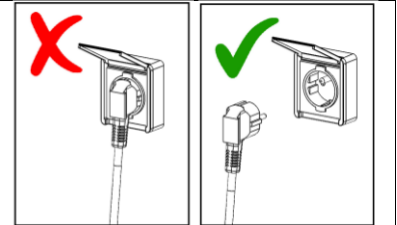
In dieser Anleitung sind mit diesem Symbol Anweisungen gekennzeichnet, bei deren Nichtbeachtung Personenschäden entstehen können.



In dieser Anleitung sind mit diesem Symbol Anweisungen gekennzeichnet, bei deren Nichtbeachtung Stromschlaggefahr besteht.



WENN DIE ANLAGE BEDIENT WIRD ODER WENN PERSONEN IM SCHWIMMBECKEN BADEN, IST DIE ANLAGE VOM NETZ ZU TRENNEN



FOLGENDE HINWEISE DURCHLESEN UND BEACHTEN

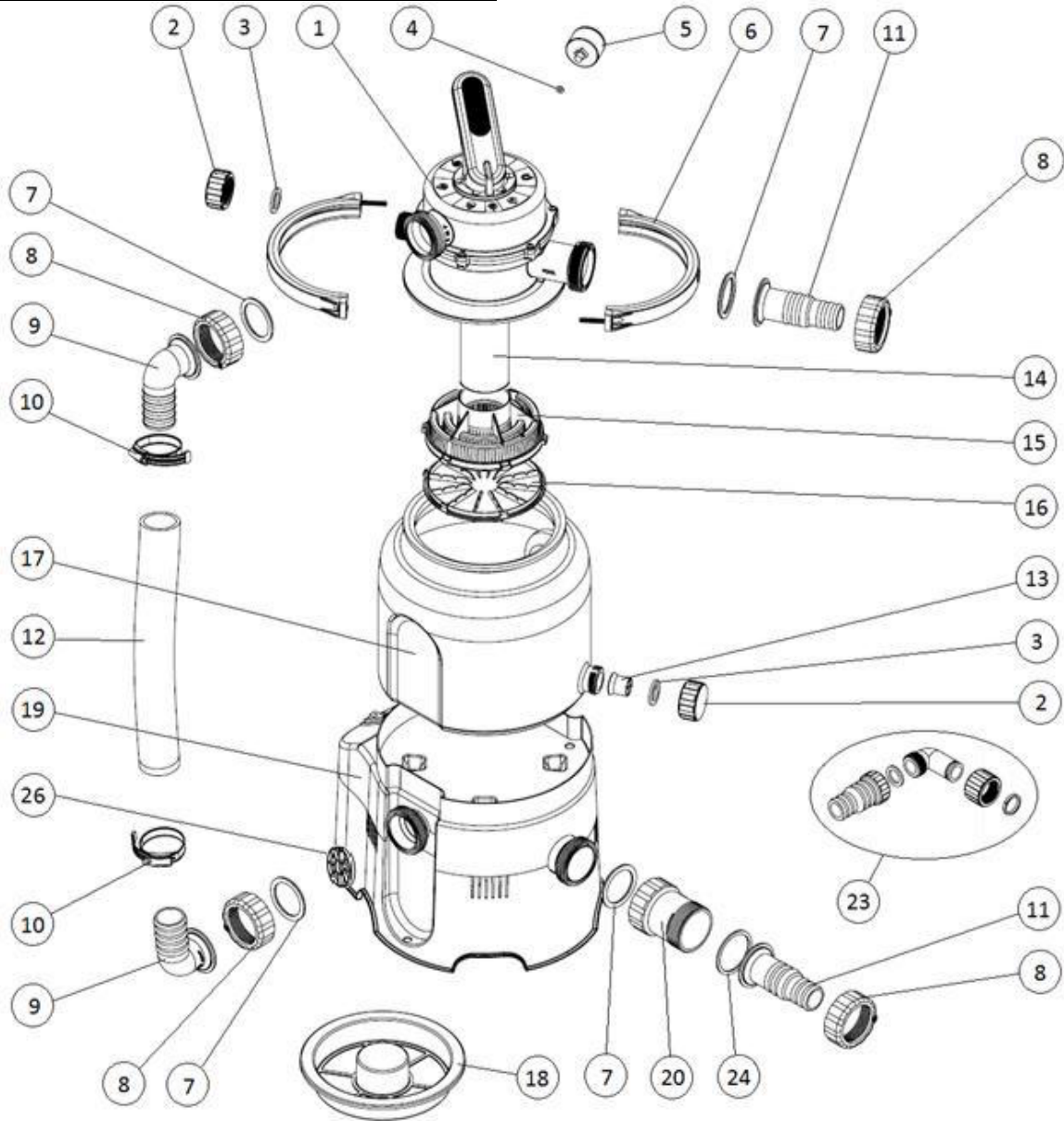
Die Nichteinhaltung der in dieser Anleitung angeführten Hinweise kann eine Verletzung oder sogar den Tod durch Stromschlag zur Folge haben!

- Die Anlage können Kinder ab 8 Jahren und Personen mit eingeschränkten körperlichen, sinnlichen oder geistigen Fähigkeiten oder mit unzureichenden Kenntnissen und Erfahrungen nur dann benutzen, wenn sie von einer eingewiesenen erwachsenen Person beaufsichtigt werden oder wenn sie in die sichere Verwendung der Anlage unterwiesen wurden und die etwaigen Gefahren verstehen. Kinder dürfen mit der Anlage nicht spielen. Reinigung und Wartung dürfen nicht von unbeaufsichtigten Kindern durchgeführt werden.
- Die Anlage nur an eine Stromversorgungsleitung, die den einschlägigen ČSN-Normen entspricht, und in eine Steckdose einstecken, die sich in einer Entfernung von min. 3,5 m von dem Schwimmbaden befindet, und zwar über einen Stromschutzschalter mit einem Bemessungsausschaltstrom von höchstens 30 mA.
- Die Anlage direkt in die Steckdose einstecken. Beim Einsatz eines Verlängerungskabels nur ein Kabel verwenden, das der ČSN-Norm für den Gebrauch im Freien entspricht.
- Versuchen Sie nicht, den Stecker des Netzkabels in die Steckdose zu stecken oder ihn aus der Steckdose zu ziehen, wenn Sie nasse Hände haben oder im Wasser stehen.
- Positionieren Sie das Gerät so, dass es Kindern nicht als Hilfsmittel zum Betreten des Pools dienen kann.
- Kinder vom Gerät und vom Netzkabel fernhalten. Dafür sorgen, dass keine Kinder mit dem Gerät spielen.
- Das Netzkabel nicht im Boden verlegen, sonst kann dieses beschädigt werden. Es ist so zu positionieren, dass es nicht durch Grasmäher, Heckscheren oder Ähnliches beschädigt werden kann.
- Die Gabel der Zuleitung für die Bedienung zugänglich lassen, damit das Gerät von der Stromversorgung sofort getrennt werden kann.
- Bevor Personen ins Schwimmbad gehen, ist das Gerät vom Stromnetz zu trennen. Das Gerät darf nicht verwendet werden, wenn sich im Schwimmbad Menschen befinden.
- Das Gerät niemals ohne Wasser betreiben.
- Das Gerät nie betreiben, falls dieses beschädigt oder unvollständig ist. Eventuell auftretende Mängel sind unverzüglich zu beheben. Bei der Wartung und bei Instandsetzungen verwenden Sie Original-Ersatzteile.
- Das Gerät nie einschalten, wenn sich das 6-Wege-Ventil in der Stellung „GESCHLOSSEN“ befindet oder wenn die Rohrleitung im Umlaufsystem verstopft ist; das 6-Wege-Ventil kann beschädigt

werden, bersten oder das Ventildeckel kann abgerissen werden, was zu Personen- oder Sachschäden führen kann.

- Die Filterverstopfung regelmäßig prüfen und den Pumpen-Vorfilter sowie Skimmerkorb reinigen, um Beschädigungen der Anlage zu vermeiden und eine ordentliche Funktion des Systems sicherzustellen.

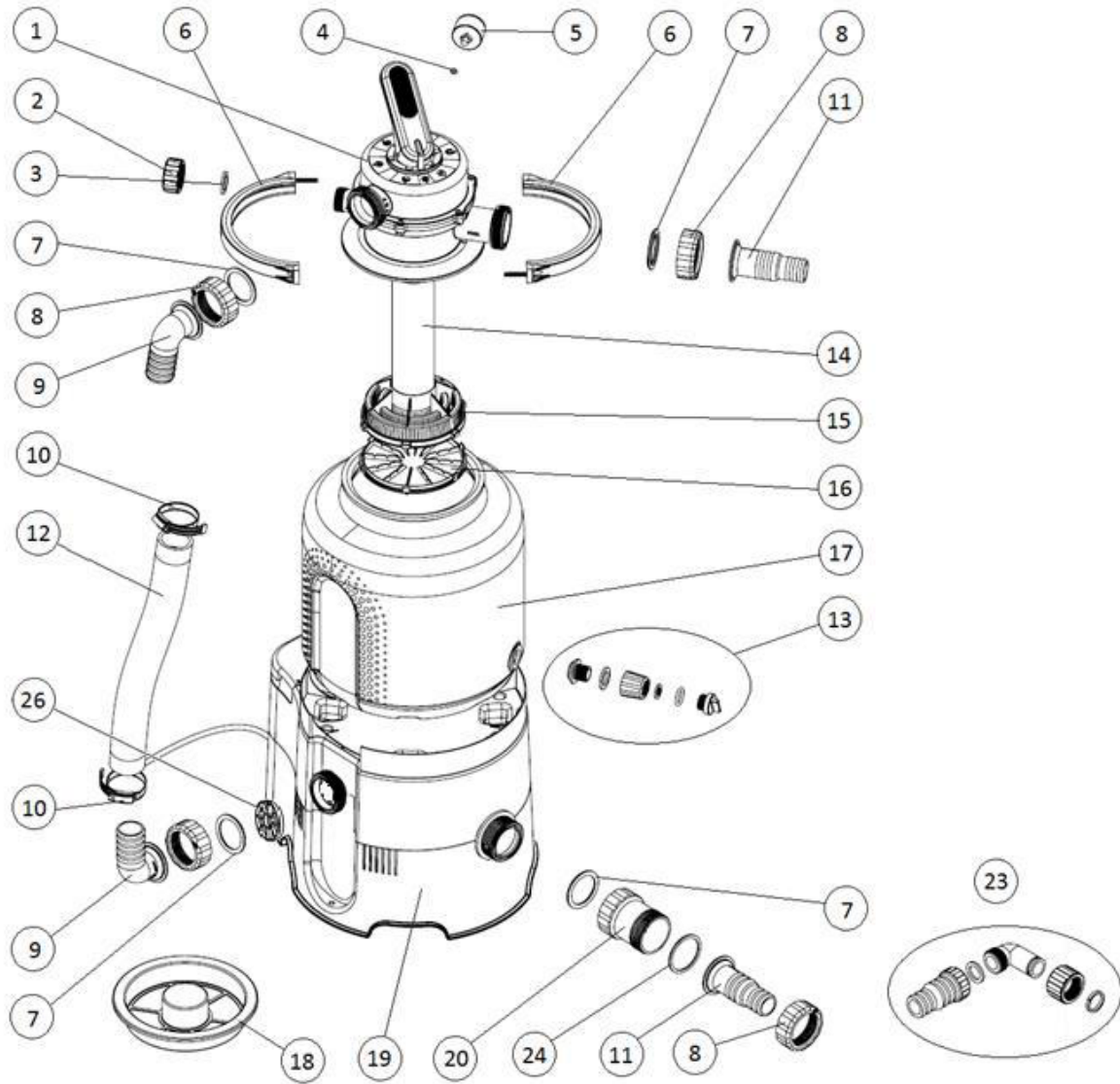
Komponentenverzeichnis – AZURO 2m³/h



Position	Bezeichnung	Menge
1	Mehrwegeventil	1
2	Stöpsel	2
3	Flache Stopfen-Dichtung	2
4	Flache Manometer-Dichtung	1
5	Manometer	1
6	Ventilfassung 1/2 einschl. Verbindungsmaterial	2
7	Formdichtung – Dorne und Winkelstücke	4
8	Überwurfmutter – Dorne und Winkelstücke	4
9	Winkelstück D38	2
10	Schlauchselle 40-60	2
11	Dorn D32/38	2
12	Verbindungsschlauch	1
13	Ablasssieb	1

Position	Bezeichnung	Menge
14	Saugrohr	1
15	Saugkorb	1
16	Saugkorbboden	1
17	Behälter	1
18	Schütte	1
19	Sockel mit Pumpe	1
20	Vorfilter	1
21	Beckenschlauch 3tlg.	2
22	Schlauchselle 25-40	4
23	Ablauf-Set	1
24	Flache Vorfilter-Dichtung	1
25	Teflonband	1
26	Gitter gegen Eindringen von Fremdkörpern	1

Komponentenverzeichnis – AZURO 4m³/h



Position	Bezeichnung	Menge
1	Mehrwegeventil	1
2	Stöpsel	1
3	Flache Stopfen-Dichtung	1
4	Flache Manometer-Dichtung	1
5	Manometer	1
6	Ventilfassung 1/2 einschl. Verbindungsmaterial	2
7	Formdichtung – Dorne und Winkelstücke	4
8	Überwurfmutter – Dorne und Winkelstücke	4
9	Winkelstück D38	2
10	Schlauchselle 40-60	2
11	Dorn D32/38	2
12	Verbindungsschlauch	1
13	Ablassverschraubung	1

Position	Bezeichnung	Menge
14	Saugrohr	1
15	Saugkorb	1
16	Saugkorbboden	1
17	Behälter	1
18	Schütte	1
19	Sockel mit Pumpe	1
20	Vorfilter	1
21	Beckenschlauch 3tlg.	2
22	Schlauchselle 25-40	4
23	Ablauf-Set	1
24	Flache Vorfilter-Dichtung	1
25	Teflonband	1
26	Gitter gegen Eindringen von Fremdkörpern	1

Bestimmung

Dieses Filtergerät dient zur Wasserfiltration im saisonalen Aufstellpool. Es ist nicht für Pools bestimmt, die das ganze Jahr hindurch verwendet werden. Die Pumpe der Filteranlage ist nicht selbstansaugend, daher ist das Filtersystem unterhalb des Wasserspiegels im Becken zu installieren, mit natürlichem Überlauf.

HINWEIS: Die Abbildungen in diesem Handbuch dienen nur zur Veranschaulichung und können vom tatsächlichen Produkt abweichen. Wir behalten uns das Recht vor, das Produkt ohne vorherige Ankündigung ganz oder teilweise zu ändern.

Bedingungen für die Verwendung der Filtereinheit:

- pH-Wert von Wasser 6 - 8,5
- freier Chlorgehalt max. 10 mg/l
- gelöster Salzgehalt max. 0,5%

Vor Inbetriebnahme

Vor Zusammenbau und Inbetriebnahme des Geräts sämtliche Komponenten auspacken.

Auf einen sicheren Abstand zwischen der Filteranlage und Umgebung achten, damit das Gerät bedient werden kann.

Die Filteranlage ist auf einem Untergrund aufzustellen (z.B. eine Betonplatte usw.). Die Platte sollte mit Hilfe der Wasserwaage verlegt und ausgerichtet werden. Das Gerät darf nicht auf dem Rasen stehen, sonst besteht Überhitzungsgefahr.

Das Gerät darf nicht überflutet werden. Eine Überflutung könnte zu Geräteschäden oder Stromschlaggefahr führen.

Wenn das Becken teilweise oder vollständig eingesenkt wurde, muss das Filtergerät in einem mit dem Becken verbundenen Filterschacht angeordnet werden. Wenn Ihr Filtersystem in einen Schacht positioniert wird, stellen Sie sicher, dass der Schacht nicht mit Wasser überflutet werden kann. Um dies zu verhindern, sollte der Schacht teilweise mit Kies verfüllt werden, um kleinere Wasserleckagen aufzunehmen und direkt in die Kanalisation abzuleiten. Es ist für ausreichende Lüftung des Schachts zu sorgen, dieser kann durch Wasserkondensation beschädigt werden.

Erforderliches Zubehör wie andere Schläuche, Schlauchklemmen und Filtersand (nicht im Lieferumfang enthalten) ist beim Händler erhältlich.



Das Filtersystem darf nicht trocken (ohne Wasser) laufen!!! Wird das Filtersystem auf diese Weise verwendet, so verfallen jegliche Gewährleistungsansprüche.

Technische Daten

	AZURO 2m³/h	AZURO 4m³/h
Spannung	230 V / 50 Hz	230 V / 50 Hz
Leistungsaufnahme	85 W	190 W
Systemdurchfluss	2 m ³ /h	4 m ³ /h
Schutzart	IP X5	IP X5
Verdrängung	1,5 m	1,5 m
Filterdurchmesser	143 mm	143 mm
Wirksame Filterfläche	0,036 m ²	0,036 m ²
Arbeitsdruck	0,2 bar	0,3 bar
Maximaler Arbeitsdruck	0,4 bar	0,6 bar
Maximale Wassertemperatur	35 °C	35 °C
Sandfüllung	10 kg	14 kg
Korngröße	0,6 – 1,2 mm	0,6 – 1,2 mm



Schützen Sie die Umwelt! Dieses Gerät nicht mit Hausmüll entsorgen. Das Produkt enthält elektrische/elektronische Komponenten. Gemäß der europäischen Richtlinie 2012/19/EU dürfen elektrische und elektronische Geräte nach Ablauf ihrer Lebensdauer nicht mit dem Hausmüll entsorgt werden, sondern müssen an die dafür vorgesehenen Sammelstellen zur umweltgerechten Entsorgung abgegeben werden. Informationen zu diesen Sammelstellen erhalten Sie vom Gemeindeamt.

Zusammenbau

Anmerkung: Da alle Verbindungen mit Dichtungen versehen sind, müssen die Muttern nicht so stark angezogen werden. Dies könnte zur Beschädigung von Kunststoffteilen führen.

Anmerkung: Zum Zusammenbau wird ein Kreuzschlitz- oder Schlitzschraubenzieher benötigt.

1. Einbau der Ablassverschraubung in den Behälter

Durch die Ablassöffnung des Behälters von der Innenseite aus das Gegenstück mit Gewinde durchstecken (**Abb. 1.1**). Auf das überstehende Gewinde eine Dichtung aufsetzen und den Stutzen aufschrauben (**Abb. 1.2**). In den Stutzen ein Sieb gegen Sandauslauf einlegen. Das Sieb durch Aufschrauben des Stopfens mit einer O-Ring-Dichtung hineinpressen (**Abb. 1.3**). Es reicht aus, die Verbindungen mit Händen festzuziehen. Bei Verwendung einer Zange können die Teile beschädigt werden.

1.A Bei dem 10-Liter-Behälter mit einem Ablassstutzen ist wie folgt vorzugehen:

Durch die Ablassöffnung des Behälters von der Innenseite aus das Ablasssieb durchstecken (**Abb. 1.4**). Auf den Stutzen mit dem Gewinde ist der Stopfen mit einer Dichtung aufzuschrauben (**Abb. 1.5**). Es reicht aus, die Verbindungen mit Händen festzuziehen. Bei Verwendung einer Zange können die Teile beschädigt werden.

2. Zusammenbau des Saugkorbs

Der Saugkorbboden wird mit dem eigentlichen Saugkorb durch das Einklicken von allen 6 umlaufenden Klick-Elementen verbunden. In den zusammengebauten Saugkorb ist das Saugrohr einzusetzen (**Abb. 2.1**). Die ganze Einheit ist in einen leeren Behälter einzulegen (**Abb. 2.2**), die Position der Einheit wird durch das Aufsetzen der Schütte fixiert (**Abb. 2.3**). Nun kann der Behälter mit Sand befüllt werden.

3. Sand befüllen

Es wird empfohlen, den Behälter vor dem Befüllen auf den Sockel mit der Pumpe zu stellen. Ein voller Behälter ist nur schwer zu handhaben. Die Seitenaussparungen im Behälter müssen mit den Aussparungen im Sockel fluchten, die Ablassverschraubung muss weg von dem Schalter gerichtet werden (**Abb. 3.1**).

Den Behälter mit der aufgesetzten Schütte mit benötigter Menge an Sand befüllen (**Abb. 3.2**). Der Sandspiegel im Behälter sollte den ganz oberen Bereich der Seitenaussparungen (**Abb. 3.3**) erreichen. Nun ist die Schütte zu entnehmen und von der Dichtfläche des Behälterstutzens sind Sandkörner, ggf. andere Verunreinigungen zu entfernen.

4. Montage des Mehrwegeventils

Von der Ventilunterseite eine O-Ring-Dichtung aufsetzen und auf den Stutzen eines gefüllten Behälters setzen. Das Ventil so drehen, dass sein Stutzen „PUMP / PUMP“ genauso ausgerichtet ist wie der Pumpenausstritt im Behältersockel. Anschließend auf die Bestückung des Behälters und Ventils die beiden Hälften der Fassung aufsetzen, die Schrauben (**Abb. 4.3**) verbinden und gleichmäßig anziehen.

In die Manometer-Öffnung ist eine kleine Gummidichtung einzulegen, das Manometergehäuse ist aufzuschrauben (**Abb. 4.1**) und mit der Hand leicht anzuziehen.

!!! Achten Sie bitte auf ein korrektes Aufschrauben, das feine Gewinde kann beschädigt werden

!!! Auf den Stutzen WASTE / ABLAUF ist der Stopfen mit einer Dichtung aufzuschrauben (Abb. 4.2).

5. Montage des Verbindungsschlauchs

Spannschellen auf den Schlauch aufschieben, in die beiden Schlauchenden Winkelstücke zusammen mit Überwurfmuttern einstecken (**Abb. 5.1**). Das Gitter gegen Eindringen von festen Partikeln (**Abb. 5.2**) in den Seitenausstritt der Pumpe einlegen, danach an diesen Austritt und an den Ventilstutzen PUMP / PUMP den vorbereiteten Schlauch mit Hilfe der Überwurfmutter und Dichtungen anschließen (**Abb. 5.3**).

!!! Die Schlauchschellen erst anziehen, wenn die Überwurfmuttern angezogen wurden !!!

6. Montage – Vorfilter und Dorne

Den transparenten Vorfilter an den Saugstutzen der Pumpe montieren, an den Vorfilter dann den Anschluss-Schlauchdorn montieren (**Abb. 6.1**).

!!! Achten Sie auf die Form der eingesetzten Dichtung !!!

6.A Bei der Filteranlage Azuro 6m³/h + Timer mit einem großen Vorfilter ist wie folgt vorzugehen:

Das Vorfilter-Gehäuse zusammen mit der Dichtung auf den Stutzen der Pumpe aufschieben und mit einer Überwurfmutter innerhalb des Vorfilters befestigen, den Auffangkorb in den Vorfilter einlegen und mit dem

Deckel mit einem O-Ring verschließen. Das Winkelstück mit einer Dichtung mit Hilfe einer Überwurfmutter auf den Stutzen montieren (**Abb. 6.2**).

!!! Achten Sie auf die Form der eingesetzten Dichtung !!!

Auf den Ventilstutzen POOL / SCHWIMMBECKEN den jeweils zweiten Anschluss-Schlauchdorn (**Abb. 6.3**)/das Winkelstück (**Abb. 6.4**) aufschrauben.

7. Die Anlage ans Schwimmbecken anschließen – siehe **Abb. 7.1, Abb. 7.2**

Die Anlage mit geeigneten Schwimmbecken-Schläuchen und Schlauchschellen mit dem Schwimmbecken verbinden.

Anlagenbetrieb

1. Wasser in die Pumpe einlassen/Pumpe entlüften

Den Stöpsel des Stutzens „ABLAUF / WASTE“ (**Abb. 8.1**) entfernen, den Ventilhebel in die Stellung ENTLÜFTUNG bringen und abwarten, bis Wasser aus dem Stutzen läuft (**Abb. 8.2**). Danach den Ventilhebel in die Stellung GESCHLOSSEN bringen und den Stöpsel wieder aufschrauben. Abschließend den Ventilhebel in die Stellung FILTRATION bringen. Nun kann die Filteranlage in Betrieb genommen werden.

Vor dem ersten Einsatz oder nach einem Austausch der Sandfüllung ist der Sand zuerst durchzuspülen.

2. Einschalten

Die Anlage mit einem Wippenschalter im Hinterteil der Filteranlage in Betrieb setzen. EIN – **ABB. 9.1**

AUS – **ABB. 9.2**



Die Ventilstellung vor dem Anschluss der Anlage ans Netz prüfen!

Die Anlage niemals einschalten, wenn sich das 6-Wege-Ventil in der Stellung GESCHLOSSEN befindet oder wenn die Rohrleitung im Umlaufsystem verstopft ist.

2.A Die Azuro Filteranlagen mit der Bezeichnung „T“ sind mit einem einstellbaren Timer ausgestattet (Abb. 9.3): Die gewünschte Funktion mit einem Schiebeschalter wählen. Der Timer kann in 20-Minuten-Intervallen in einem 24-Stunden-Zyklus eingestellt werden. Ein Anschlag entspricht 20 Minuten, d.h. 3 Anschläge = 1 Stunde. Die LED-Kontrollleuchte zeigt an, dass die Anlage läuft.

3. Verwendung

Das Ventil in die Stellung FILTRATION bringen und die Anlage einschalten. Den Durchfluss durch die Filteranlage (Druck am Manometer) regelmäßig prüfen und auf Grund der ermittelten Werte den Sand durchzuspülen.

Es ist ratsam, einen Zeitplan der Filtration in Bezug auf die Schwimmbeckengröße und seine Nutzung zu erstellen. Für eine korrekte Filtration ist es notwendig, dass Wasser im Schwimmbecken mindestens einmal pro Tag vollständig gefiltert wird. Die Mindestlaufzeit der Filtration ist somit der Quotient des Schwimmbeckenvolumens und Filteranlage-Durchflusses.

Beispiel: Für ein Schwimmbecken mit einem Wasservolumen von 10 m³ und die AZURO 2m³/hr Filteranlage mit einem Durchfluss von 2 m³/h beträgt der Quotient 5 Stunden.

4. Vorfilterreinigung

Bei einer sichtbaren Verschmutzung, ggf. Einschränkung der Funktion der Filteranlage ist der Vorfilter mit einem Wasserstrahl zu reinigen (**Abb. 10.1**). Bei der AZURO 6m³/h + Timer Filteranlage ist der innere Filterkorb durchzuspülen (**Abb. 10.2**).

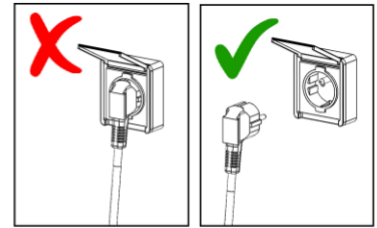
5. Sand rückspülen

Nach dem Druck im Behälter lässt sich erkennen, wann das Filtermedium durchzuspülen ist. Nach dem ersten Einschalten mit sauberem Filtersand ist der Druckwert zu merken; sollte sich der Druckwert um mehr als eine Einheit der Skala erhöhen, sind eine RÜCKSPÜLEN (2–3 Minuten) + NACHSPÜLEN (ca. 30 Sekunden) durchzuführen, siehe „**Einzelne Ventilstellungen**“. Beim täglichen Filtern wird es empfohlen, den Sand wenigstens einmal pro Woche durchzuspülen.

Für Funktionen der Filteranlage wie RÜCKSPÜLEN, NACHSPÜLEN und ENTLEREN kann das Ablauf-Set verwendet werden – auf den Austritt-Stutzen „ABLAUF / WASTE“ statt des Stöpsels direkt den Dorn, ggf. ein Winkelstück mit einem Dorn für den Ablaufschlauch aufschrauben.

BEIM ABLASSEN VON WASSER AUS DEM STUTZEN „ABLAUF / WASTE“ IST DAFÜR SORGE ZU TRAGEN, DASS ALLE GESETZLICHEN ANFORDERUNGEN ZUM UMGANG MIT ABWASSER EINGEHALTEN WERDEN. WASSER NICHT IN STELLEN AUSLAUFEN LASSEN, WO SCHÄDEN DURCH ÜBERFLUTUNG ENTSTEHEN KÖNNEN. DER STUTZEN „ABLAUF / WASTE“ KANN MIT EINER VERSCHRAUBUNG FÜR ANSCHLUSS EINES ABLAUFSCHLAUCHS VERSEHEN WERDEN. WÄHREND DER FILTRATION SOLLTE DER STUTZEN „ABLAUF / WASTE“ MIT EINEM STÖPSEL VERSCHLOSSEN SEIN.

Bedienung des Mehrwegeventils



Vor einer Änderung der Ventilstellung ist die Anlage vom Stromnetz zu trennen.

Nach dem Abschalten der Pumpe ca. eine halbe Minute warten, erst dann mit der Handhabung beginnen - Schmutz und Sand setzen sich mittlerweile ab.

Den Hebel nach unten drücken (**Abb. 12.1**), in die gewünschte Stellung drehen (**Abb. 12.2**).

Pflege

Sichtbarer Schmutz wird mit dem Filtersystem entfernt. Dies gilt jedoch nicht für Algen, Bakterien und Mikroorganismen, die ein ständiges Hindernis für ein sauberes und gesundheitlich unbedenkliches Wasser im Pool darstellen. Für die Vorbeugung stehen viele spezielle Produkte zur Verfügung, die in der richtigen Konzentration dauerhaft gegen die oben genannten Gefahren Ihres Pools wirken und das Wasser hygienisch unbedenklich und sauber halten.

Wartung

Der Anlagenbetrieb ist während der Badesaison regelmäßig zu prüfen. Es ist wichtig, um eine eventuelle Störung rechtzeitig zu erkennen und diese dann möglichst schnell zu beheben. Der Lieferant übernimmt keinerlei Haftung für Folgeschäden durch eine Störung der Filtereinheit oder Elektroinstallation.

Der Sand ist regelmäßig durchzuspülen. Kommt es nicht einmal nach der Durchspülung zu einer Verbesserung der Durchlässigkeit des Filtersands, d.h. der Druckwert am Manometer bleibt auch nach der Durchspülung hoch, ist der Sand zu wechseln.

Weder den Filterdeckel noch den eigentlichen Filterbehälter mit einem Lösungsmittel reinigen, die Oberfläche könnte dadurch beschädigt werden (Glanz-, Transparenzverlust u.ä.).

Winterfestmachung

Am Ende der Saison muss das Filtersystem gereinigt, geleert, demontiert und gelagert werden. Die Filteranlage von dem Schwimmbecken trennen und über das Ablassventil, das im unteren Teil des Filterbehälters angeordnet ist, Wasser aus dem Behälter ablassen.

Die Filterwanne öffnen und Sand entfernen. Sand reinigen und Konglomerate oder Klumpen entfernen. Den Sand in der Wanne regelmäßig ersetzen.

Das Filtersystem wieder zusammenbauen und für den Winter in einen frostsicheren und trockenen Raum stellen.

Den Ventilhebel in die Zwischenstellung ENTLÜFTUNG / WINTERFESTMACHUNG bringen, die bei der Winterfestmachung der Filteranlage verwendet wird.

Garantiebedingungen und Service

Die Garantiebedingungen gelten wie im Garantieschein des Händlers beschrieben.

Sollten Sie einen Rat benötigen, den Service gewährleisten oder ein Ersatzteil kaufen wollen, wenden Sie sich an Ihren Händler. Bei der Wartung und bei Instandsetzungen verwenden Sie Original-Ersatzteile.

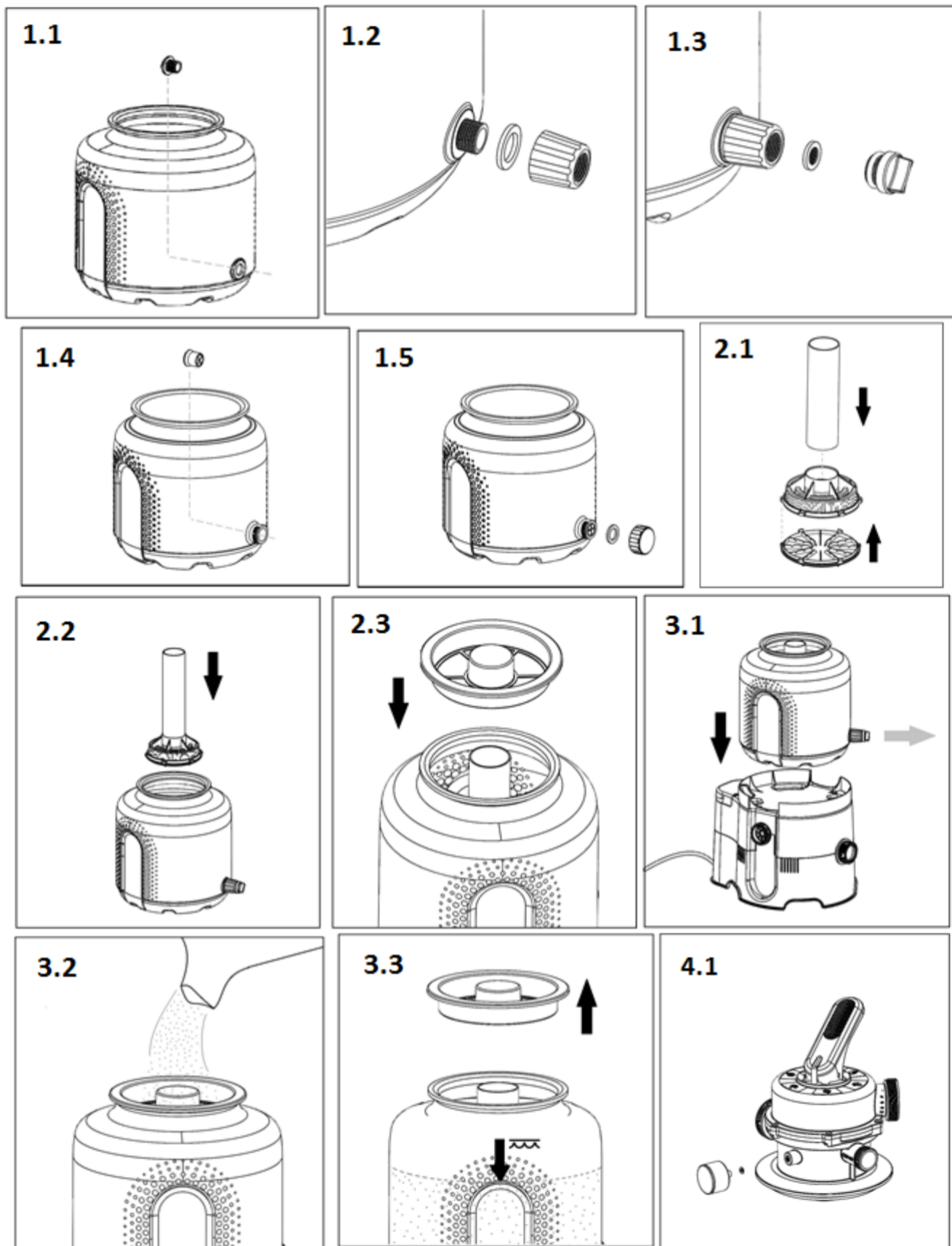
Produktprüfungen

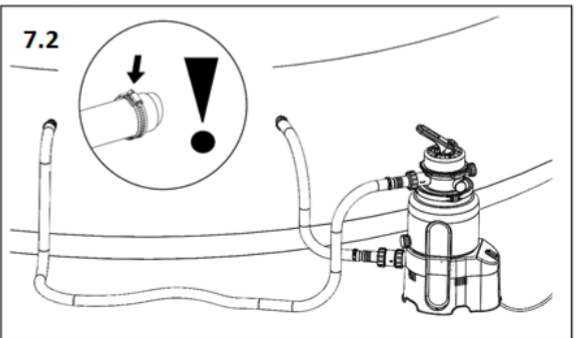
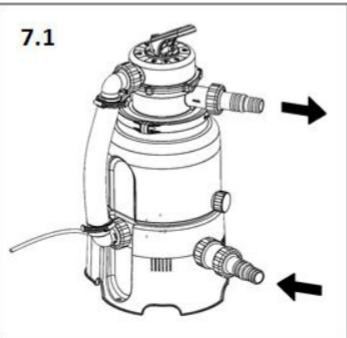
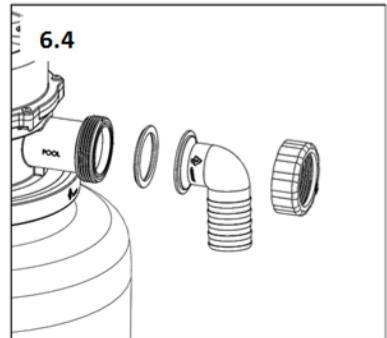
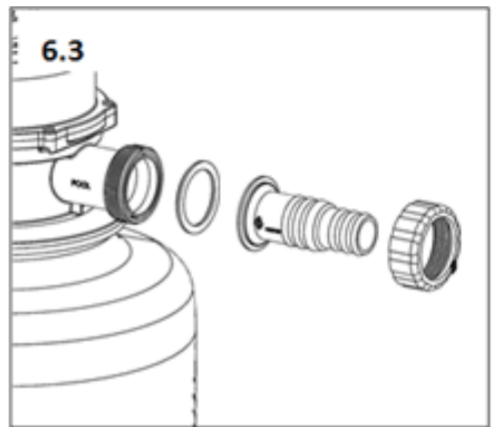
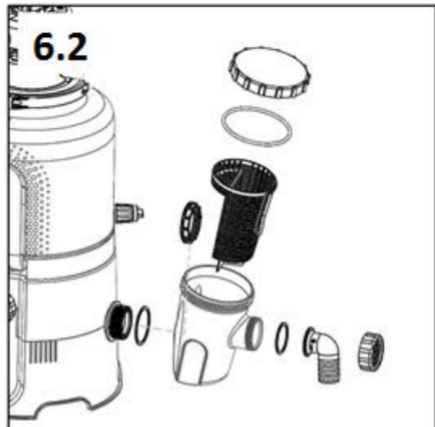
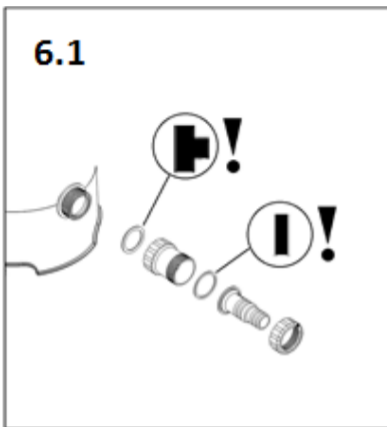
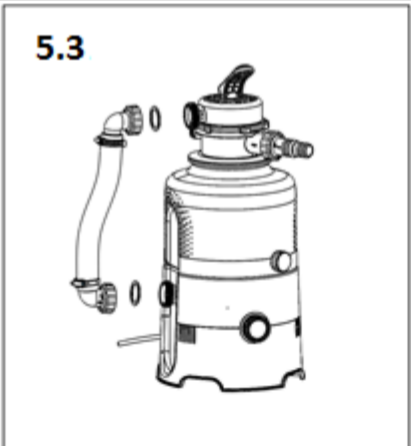
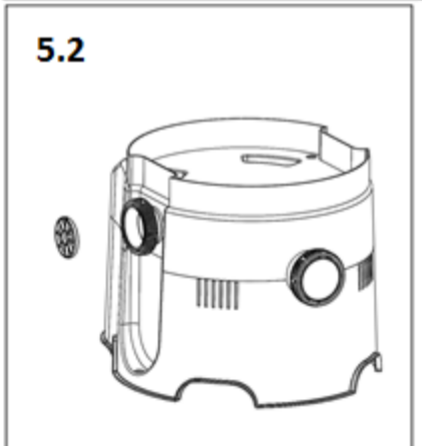
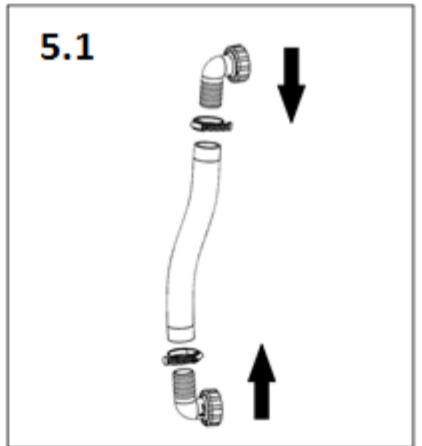
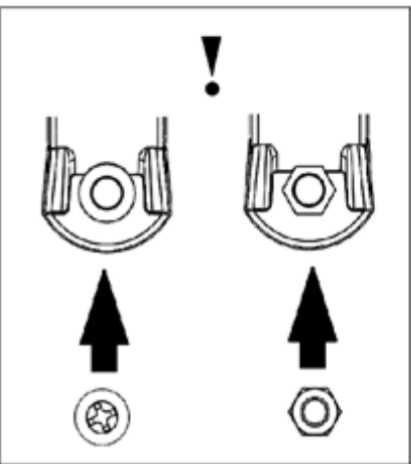
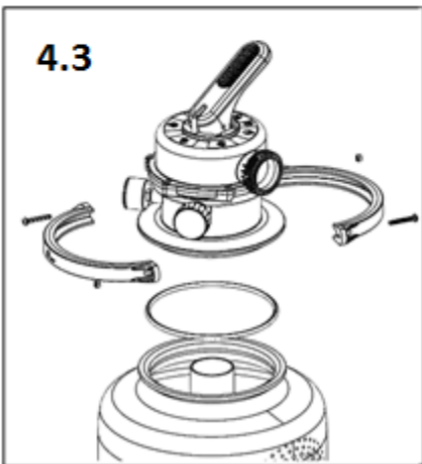
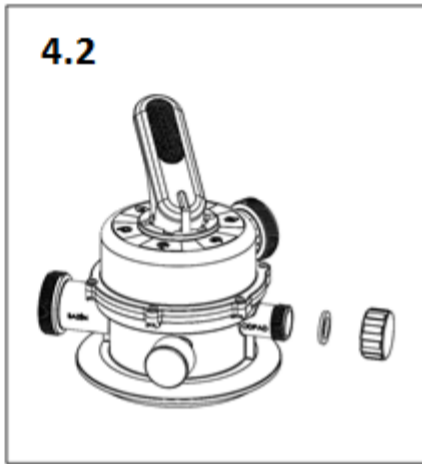
Auf das Produkt bezieht sich die Norm EN 60335-2-41, des Weiteren ist dieses mit Anforderungen der Richtlinien 2006/42/EG (Maschinenrichtlinie), 2014/30/EU (EMV), 2014/35/EU (Niederspannungsrichtlinie) und mit Anforderungen der RoHS-Richtlinie bezüglich Gehalt an gefährlichen Stoffen in Elektro- und Elektronikgeräten konform.

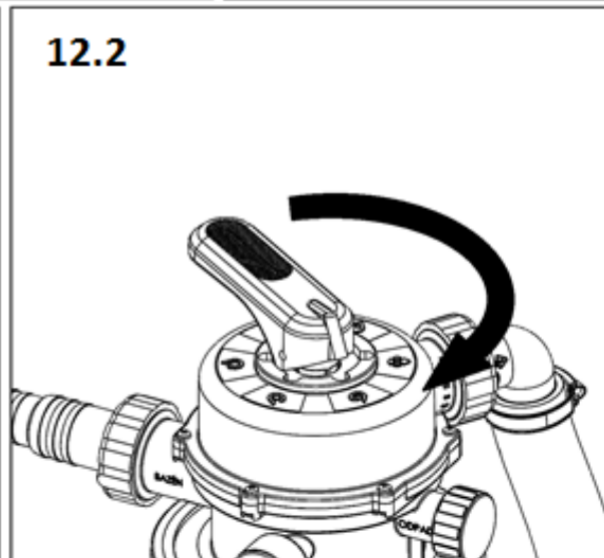
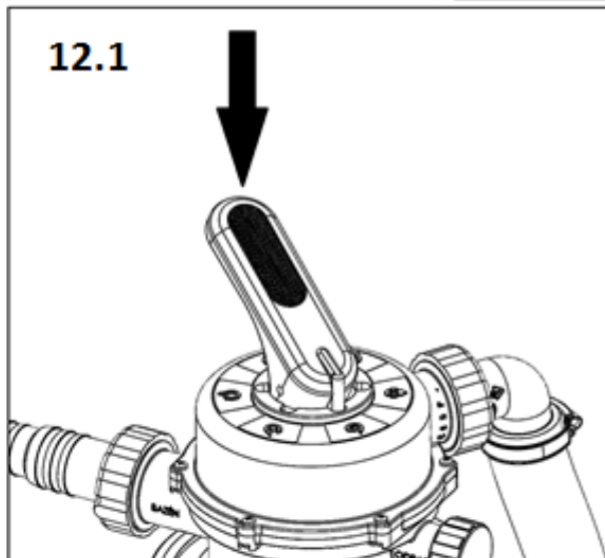
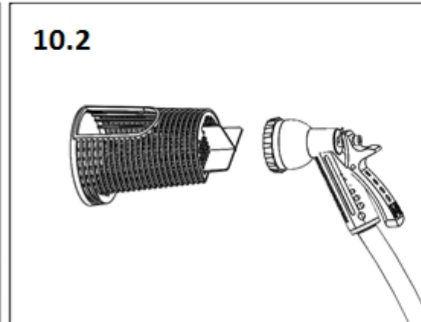
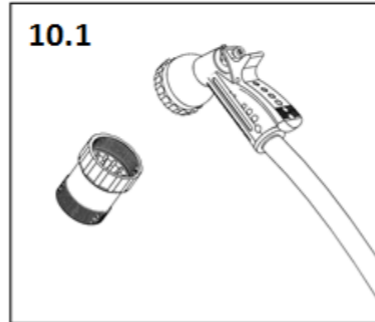
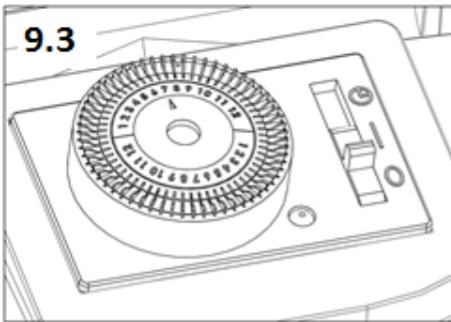
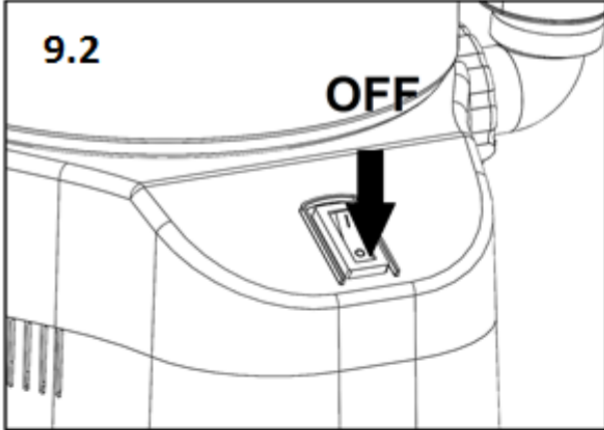
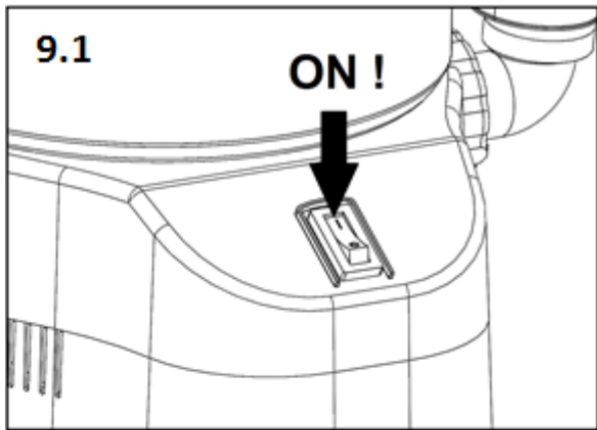
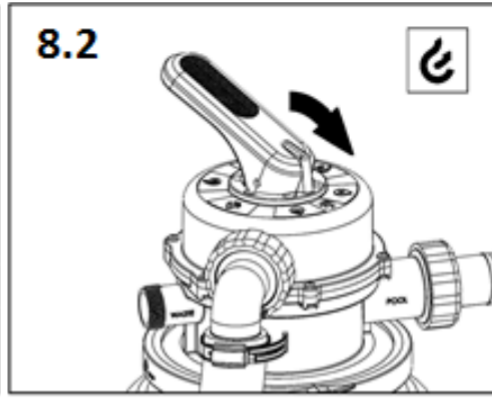
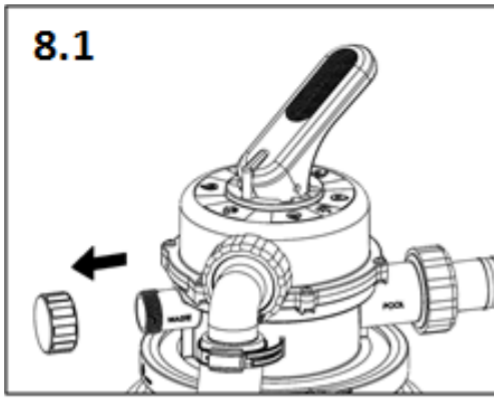
Das Produkt wurde in Státní zkušebna strojů a.s. geprüft.

Problemlösung

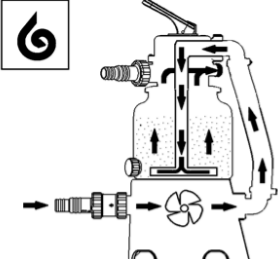
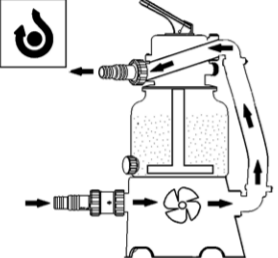
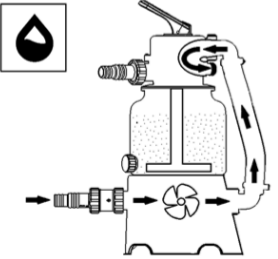
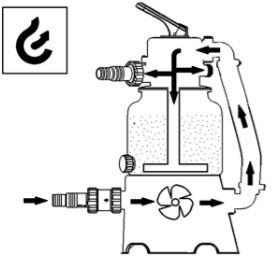
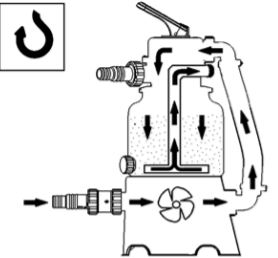
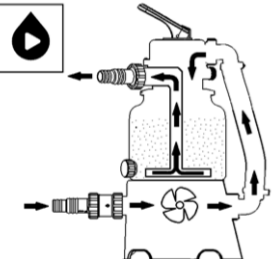
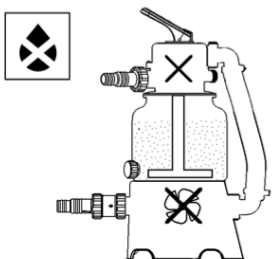
Durchfluss zu gering oder fehlt	Filteranlage wurde nicht entlüftet	Filteranlage entlüften
	Ventilhebel in der Stellung GESCHLOSSEN	In die Stellung FILTRATION drehen
	Zu verschmutzter Sand	DURCHSPÜLEN oder Sand wechseln
	Vorfilter verstopft	Vorfilter ausbauen und durchspülen
	Skimmer verstopft	Skimmerkorb ausbauen und durchspülen
	Filteranlage beschädigt	Kontakt mit Service aufnehmen
Sand gelangt ins Schwimmbad	Bedienung des Ventilhebels bei eingeschalteter Filteranlage	Vor Bedienung des Hebels die Filteranlage ausschalten
	Filtersand-Korngröße zu gering	Empfohlene Korngröße beträgt 0,6–1,2 mm
	Sand-Füllstand im Behälter zu hoch	Sandmenge im Behälter reduzieren
Pumpe saugt Luft an (im System zirkulieren Blasen)	Ungenügend angezogene Verbindungen	Überwurfmuttern vorsichtig anziehen
	Leckage an Vorfilter-Verbindungen	Verbindungen mit neuen Dichtungen versehen
	Beschädigte Dichtung	Dichtung in Verbindungen „vor“ der Pumpe prüfen
Wasserleckage aus der Anlage	Undichte Verbindung	Verbindungen anziehen/mit neuen Dichtungen versehen
	Beschädigte Dichtung	Dichtung prüfen
Wasser im Schwimmbecken kann nicht gereinigt werden	Unzureichende chemische Wasserbehandlung	pH-Wert und Chlorgehalt im Wasser prüfen
	Unzureichende Filterzeit	Filterzeit verlängern







Einzelne Ventilstellungen

	<p>RÜCKSPÜLEN – Wasser strömt durch die Sandfüllung in entgegengesetzter Richtung, wodurch Verschmutzungen ausgeschwemmt werden, Wasser strömt nicht zurück ins Schwimmbecken, es läuft aus dem Stutzen „ABLAUF“ – den Stöpsel entfernen!</p>
	<p>ZIRKULIEREN – Wasser strömt durch die Anlage, jedoch nicht durch die Sandfüllung.</p>
	<p>ENTLEEREN – Wasser strömt nicht durch die Sandfüllung, sondern in den Stutzen „ABLAUF“ – den Stöpsel entfernen! Die Stellung dient zur Senkung des Wasserspiegels im Schwimmbecken, ggf. zum Saugen von groben Verschmutzungen.</p>
	<p>ENTLÜFTUNG / WINTERFESTMACHUNG – in dieser Stellung ist das Ventil in allen Richtungen durchgängig, die entweichende Luft ermöglicht eine spontane Überflutung der Pumpenkammer. Die Stellung kommt auch bei der Winterfestmachung, ggf. bei einer längeren Stilllegung der Filteranlage zum Einsatz.</p>
	<p>NACHSPÜLEN – die Stellung kommt beim ersten Einschalten mit einer neuen Sandfüllung oder nach einer „RÜCKSPÜLEN“ zum Einsatz, der aufgewirbelte Sand setzt sich ab und eventuell vorhandene Reste der Verschmutzungen werden durch den Stutzen „ABLAUF“ ausgespült – den Stöpsel entfernen!</p>
	<p>FILTRATION – primäre Ventilstellung, Wasser wird über die Sandfüllung gefiltert und strömt zurück ins Schwimmbecken.</p>
	<p>GESCHLOSSEN – die Anlage nicht einschalten!</p>

Homokszűrők

Azuro 2 m³/h

Azuro 4 m³/h

Üzembe helyezési, összeszerelési és üzemeltetési kézikönyv



(eredeti használati útmutató)



**A TERMÉK ÜZEMBE HELYEZÉSE ÉS HASZNÁLATA ELŐTT ALAPOSAN
OLVASSA EL A KÉZIKÖNYVBEN SZEREPLŐ UTASÍTÁSOKAT, ÉS MINDEN
ESETBEN TARTSA BE EZEKET.
ŐRIZZE MEG A KÉZIKÖNYVET, MERT A KÉSŐBBIEKBEN MÉG SZÜKSÉGE
LEHET RÁ.**

Általános megjegyzések

A Mountfield a.s. számára készítette a Garsys s.r.o., František-bánya ipari területe, K Prádlu, 735 Horní Suchá, 735 35; származási ország: Csehország

Biztonsági utasítások



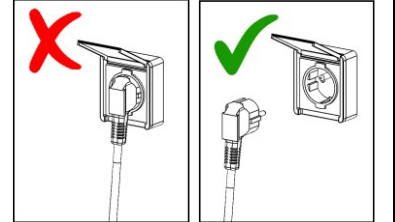
Ez a szimbólum azt jelzi, hogy az adott utasítások figyelmen kívül hagyása személyi sérüléshez vezethet.



Ez a szimbólum azt jelzi, hogy az adott utasítások figyelmen kívül hagyása áramütéshez vezethet.



**ÚSZÁS VAGY A MEDENCÉN VÉGZETT
BÁRMILYEN MUNKA ELŐTT VÁLASSZA
LE A BERENDEZÉST AZ ELEKTROMOS
HÁLÓZATRÓL.**

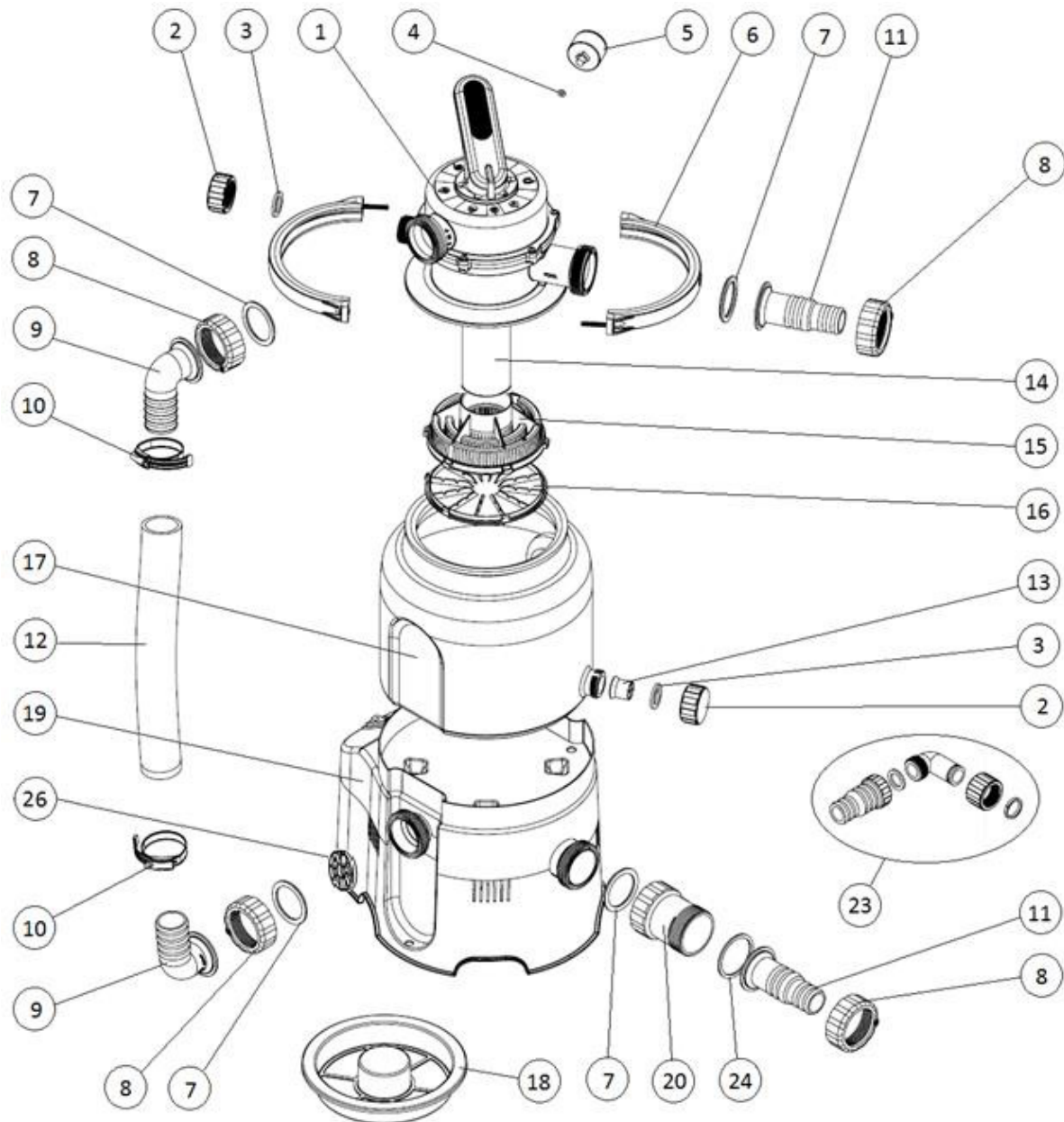


OLVASSA EL ÉS TARTSA BE AZ ÖSSZES UTASÍTÁST.

A jelen kézikönyvben szereplő utasítások figyelmen kívül hagyása személyi sérülést, vagy akár áramütés általi halált is okozhat.

- A berendezést 8 évesnél idősebb gyerekek és csökkent fizikai, érzékszervi vagy szellemi képességű személyek, valamint a megfelelő tapasztalatokkal és tudással nem rendelkező személyek csak felügyelet mellett használhatják, vagy ha utasítást kaptak, hogyan lehet biztonságosan használni a berendezést, és tisztában vannak a lehetséges veszélyekkel. Ügyeljen rá, hogy gyerekek ne játszanak a berendezéssel. A tisztítási és karbantartási műveleteket gyerekek csak felügyelet mellett végezhetik.
- Győződjön meg róla, hogy a berendezés tápegysége megfelel-e a vonatkozó ČSN szabványoknak, biztosítsa, hogy legalább 3,5 méterre legyen a medencétől, és legfeljebb 30 mA maradékáram esetén kioldó védelmi berendezés védje.
- Az eszközt közvetlenül kell csatlakoztatni a hálózati aljzathoz. Hosszabbító használata esetén kizárólag olyan hosszabbítót használjon, amely megfelel a külső berendezésekre vonatkozó ČSN szabványoknak.
- Ügyeljen rá, hogy vizes kézzel vagy vízben állva ne próbálja meg kihúzni a tápkábelt a hálózati aljzathoz.
- Úgy helyezze el az eszközt, hogy gyerekek ne tudjanak a segítségével a medencébe jutni, pl. beleugrani róla.
- Tartsa a gyerekeket biztonságos távolságban az eszköztől és a tápkábeltől. Ügyeljen rá, hogy gyerekek ne játszanak a berendezéssel.
- A tápkábel sérülésének az elkerülése érdekében ne ássa be a tápkábelt a földbe. Úgy helyezze el a tápkábelt, hogy a fűnyíró, szegélynyíró és más hasonló eszközök ne tudjanak kárt tenni benne.
- Ügyeljen rá, hogy a tápkábel kizárólag a karbantartó személyzet számára legyen elérhető (arra az esetre, ha áramtalanítani kell a berendezést).
- A medencébe való belépés előtt áramtalanítani kell a berendezést. Ha tartózkodnak a medencében, tilos használni a berendezést.
- Szárazon ne üzemeltesse a berendezést.
- Ne üzemeltesse, ha a berendezés sérült vagy meghibásodott. Minden hibát azonnal el kell hárítani. A karbantartáshoz és javításhoz eredeti cserealkatrészeket használjon.
- Ne kapcsolja be a berendezést, ha a hatállású szelep zárt állásban van, vagy ha a csővezetéken nem tud átfolyni a víz; ellenkező esetben a berendezés károsodhat, meghibásodhat, eltörhet vagy a fedél leszakadhat, ami személyi sérülést vagy vagyoni kárt eredményezhet.
- Rendszeresen ellenőrizze a szűrő ülepedési állapotát, és tisztítsa meg az előszűrőt és az uszadékfogó kosarat a szivattyú károsodásának megakadályozása és a rendszer megfelelő működése érdekében.

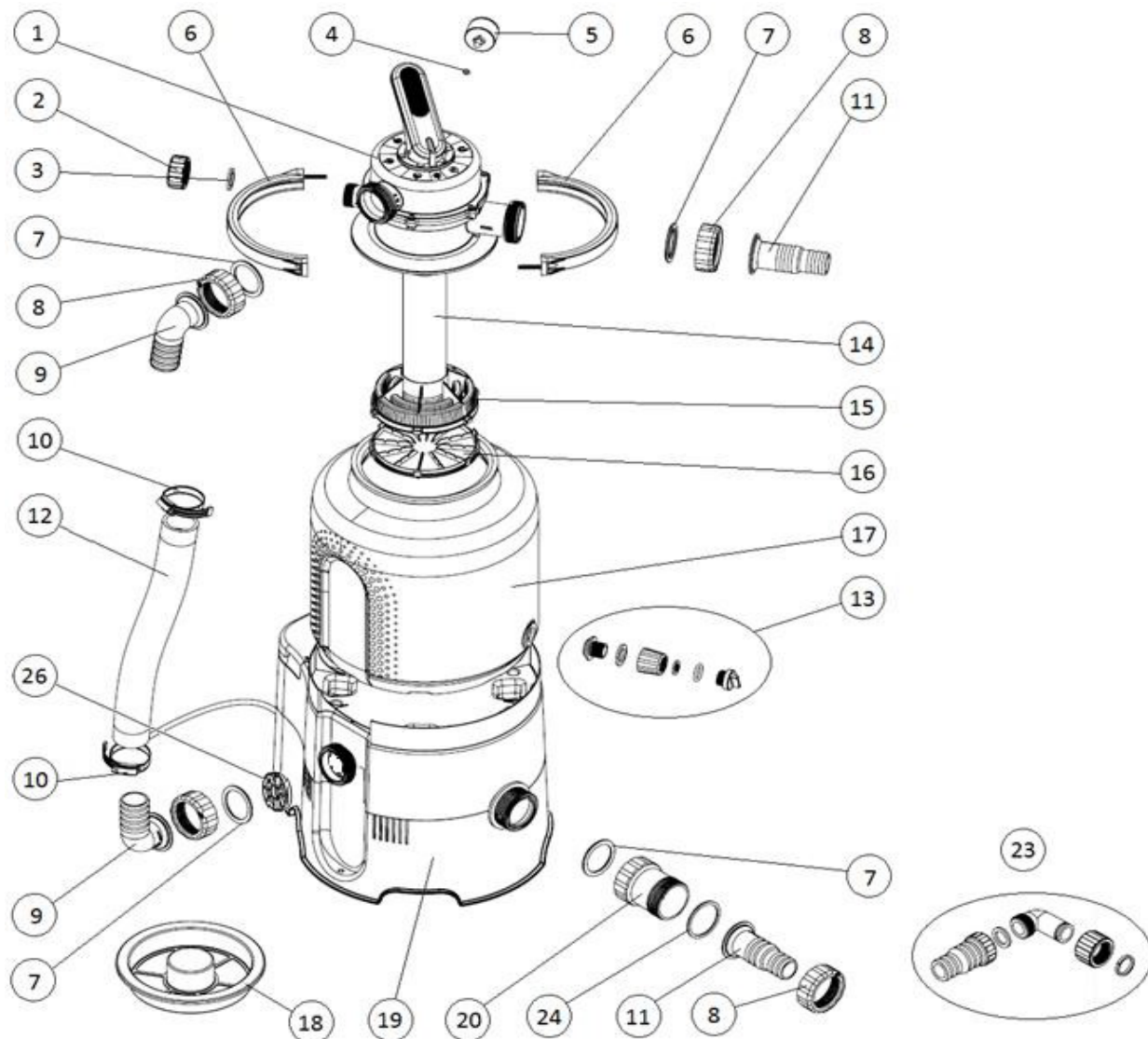
Alkatrészek listája – AZURO 2 m³/h



Tétel	Megnevezés	Darab
1	Többállású szelep	1
2	Dugasz	2
3	Lapos fedéltömítés	2
4	Lapos nyomásmérő-tömítés	1
5	Nyomásmérő	1
6	1/2-es szelepbilincs rögzítőelemekkel	2
7	Derékszögű menetes idom és a könyökidom tömítései	4
8	Derékszögű menetes idom és a könyökidom rögzítőanyái	4
9	Könyökelem, D38	2
10	Tömlőbilincs, 40–60	2
11	Menetes idom, D32/38	2
12	Összekötő tömlők	1
13	Leeresztőszűrő	1

Tétel	Megnevezés	Darab
14	Szívócső	1
15	Szívókosár	1
16	Szívókosár alja	1
17	Tartály	1
18	Garat	1
19	Alapegység és szivattyú	1
20	Előszűrő	1
21	Medencetömlő – 3 részes	2
22	Tömlőbilincs, 25–40	4
23	Szennyvízszerelvény	1
24	Lapos előszűrő-tömítés	1
25	Teflonszj	1
26	Idegentest-behatolásgátló rács	1

Alkatrészek listája – AZURO 4 m³/h



Tétel	Megnevezés	Darab
1	Többállású szelep	1
2	Dugasz	1
3	Lapos fedéltömítés	1
4	Lapos nyomásmérő-tömítés	1
5	Nyomásmérő	1
6	1/2-es szelepbilincs rögzítőelemekkel	2
7	Derékszögű menetes idom és a könyökidom tömítése	4
8	Derékszögű menetes idom és a könyökidom rögzítőanyái	4
9	Könyökelem, D38	2
10	Tömlőbilincs, 40–60	2
11	Menetes idom, D32/38	2
12	Összekötő tömlők	1
13	Üritőnyílás szerelvénye	1

Tétel	Megnevezés	Darab
14	Szívócső	1
15	Szívókosár	1
16	Szívókosár alja	1
17	Tartály	1
18	Garat	1
19	Alapegység és szivattyú	1
20	Előszűrő	1
21	Medencetömlő – 3 részes	2
22	Tömlőbilincs, 25–40	4
23	Szennyvízszerelvény	1
24	Lapos előszűrő-tömítés	1
25	Teflonszj	1
26	Idegentest-behatolásgátló rács	1

Rendeltetés

A szűrőegység a szezonálisan használt, felszín feletti medencék vízének a szűrésére szolgál. Egész évben üzemelő medencék esetén nem alkalmazható. A szűrőszivattyú egy passzív egység, ezért a szűrőt a medence vízszintje alatt kell elhelyezni.

FIGYELMEZTETÉS: A jelen kézikönyvben látható ábrák csak illusztrációs célokat szolgálnak, és azok nem feltétlenül a tényleges terméket ábrázolják. Fenntartjuk magunknak a jogot, hogy a terméket előzetes értesítés nélkül részben vagy teljes egészében módosítsuk.

A szűrőegység alkalmazásának feltételei:

- Víz pH-értéke: 6–8,5;
- Max. klórtartalom: 10 mg/l;
- Max. sótartalom: 0,5%.

Üzembe helyezés előtt

A berendezés üzembe helyezése előtt csomagolja ki minden alkatrészt. Ügyeljen rá, hogy a szűrőberendezés biztonságos távolságban legyen a környezetétől (ezzel biztosítva a biztonságos üzemelést).

A szűrőberendezést egy platformon kell elhelyezni (például betonlapokon stb.). A platformnak vízszintben kell állnia. A berendezést tilos fűben elhelyezni, mivel ez a berendezés túlmelegedéséhez vezethet.

Ügyeljen rá, hogy a berendezés ne merüljön el a vízben. A vízben való elmerülés kárt tehet a gépben vagy áramütést okozhat.

Ha a medence már részben vagy teljesen fel van töltve, akkor a szűrőberendezést egy szűrőaknában kell elhelyezni, amelyet össze kell kapcsolni a medencével. Ha a szűrőberendezés aknában lett elhelyezve, akkor gondoskodjon róla, hogy a víz ne tudja elárasztani. Az elárasztás megakadályozása érdekében javasoljuk kavicsagy alkalmazását (amely képes kis mennyiségű víz elnyelésére), valamint közvetlen szennyvízleeresztő kialakítását. Fontos, hogy gondoskodjon az akna megfelelő szellőztetéséről, különben a vízlecsapódás kárt tehet a berendezésben.

A szükséges kiegészítők (további tömlők, tömlőbilincsek és szűrőhomok [a csomag nem tartalmazza]) a forgalmazótól vásárolhatók meg.



Szárazon (víz nélkül) üzemeltetni tilos! A szűrőberendezés szárazon való üzemeltetése esetén a garancia érvényét veszti.

Műszaki adatok

	AZURO 2 m ³ /h	AZURO 4m ³ /h
Feszültség	230 V/50 Hz	230 V/50 Hz
Áramfogyasztás	85 W	190 W
Rendszer áteresztőképessége	2 m ³ /h	4 m ³ /h
Behatolás elleni védelem	IP X5	IP X5
Ürités	1,5 m	1,5 m
Szűrő átmérője	143 mm	143 mm
Effektív szűrőfelület	0,036 m ²	0,036 m ²
Üzemi nyomás	0,2 bar	0,3 bar
Max. üzemi nyomás	0,4 bar	0,6 bar
Max. víz hőmérséklet	35 °C	35 °C
Homokterhelés	10 kg	14 kg
Szemcseméret	0,6–1,2 mm	0,6–1,2 mm



Védje a környezetet! A terméket TILOS háztartási hulladékként kezelni. A termék elektromos/elektronikus alkatrészeket tartalmaz. A 2012/19/EU európai irányelvnek megfelelően az elektromos és elektronikus eszközöket tilos háztartási hulladékként kezelni. Az ilyen eszközöket környezetbarát módon, a kijelölt gyűjtőhelyeken kell leadni. Az ilyen gyűjtőhelyekkel kapcsolatos információkért forduljon a helyi önkormányzathoz.

Összeszerelés

Megjegyzés: Mivel minden csatlakozás tömítéssel van ellátva, ezért az anyákat nem kell túl szorosan meghúzni. A túl szoros meghúzás a műanyag részek károsodását okozhatja.

Megjegyzés: Az összeszereléshez csillagfejű csavarhúzó szükséges.

1. Az ürítőnyílás szerelvényének felszerelése a tartályra.

Belülről helyezze be a menetes ellenrészét a tartály ürítőnyílásába (1.1. ábra). Helyezzen fel egy tömítést a kiálló menetre, majd csavarja fel a hüvelyt (1.2. ábra). Helyezze bele a homokszűrőt. Nyomja be a szűrőt a Seeger-gyűrűvel ellátott fedél felcsavarozásával (1.3. ábra). A tömítéseket elegendő kézzel meghúzni. Fogó használata esetén az alkatrészek károsodhatnak.

1.A A 10 literes, ürítőaljzatokkal ellátott tartály esetén járjon el az alábbiak szerint:

Belülről helyezze be az ürítőszűrőt a tartály ürítőnyílásába (1.4. ábra). Csavarja rá a tömítéssel ellátott fedelet a hüvelyre (1.5. ábra). A tömítéseket elegendő kézzel meghúzni. Fogó használata esetén az alkatrészek károsodhatnak.

2. A szívókosár összeszerelése

Csatlakoztassa a kosár alját a szívókosárhoz a peremén lévő 6 retesz bepattintásával. Helyezzen fel egy szívócsövet az összeszerelt szívókosárra (2.1. ábra). Helyezze be az egységet az üres tartályba (2.2. ábra), majd rögzítse a helyén a garat felhelyezésével (2.3. ábra). A tartály ekkor készen áll a feltöltésre.

3. Feltöltés homokkal

A feltöltés előtt célszerű a tartályt a szivattyúplatformon elhelyezni. A feltöltött tartály nehezebben mozgatható. Illessze a tartályt az állványra úgy, hogy a pozicionálóelemek találkozzanak; az ürítőnyílás szerelvényének a kapcsolóval ellentétes irányba kell nézniük (3.1. ábra).

Miután a garat felhelyezésre került, töltsse fel a tartályt a szükséges mennyiségű homokkal (3.2. ábra). A homok szintjének a tartályban az oldalsó jelölés tetejéig kell érnie (3.3. ábra). Ezután vegye le a garatot, majd távolítsa el a homokot és az egyéb szennyeződések a tartály tömítőfelületéről.

4. A többállású szelep beszerelése

A szelep alsó részébe helyezzen be egy Seeger-gyűrűt, majd helyezze fel a szelepet a feltöltött tartályra. Úgy állítsa be úgy a szelepet, hogy a PUMP (szivattyú) nyílás ugyanabba az irányba nézzen, mint a tartály állványán lévő szivattyúkimenet. Ezután helyezze be mindkét bilincsfelét a tartály hornyába, rögzítse a csavarokkal (4.3. ábra), majd húzza meg a csavarokat egyenletesen.

Helyezzen be egy kis méretű gumitömítést a nyomásmérő nyílásába, majd kézzel csavarja rá finoman a nyomásmérő tokját (4.1. ábra).

FONTOS: Legyen óvatos a felcsavarásnál, mert a finom menet könnyen megsérülhet!

Csavarja fel a tömítéssel ellátott fedelet a WASTE (szennyvíz) nyílásra (4.2. ábra).

5. A csatlakozótömlő felszerelése

Helyezze fel a rögzítőbilincseket a tömlőre, majd helyezze fel a forgó rögzítőelemekkel ellátott könyökelemeket a tömlő mindkét végére (5.1. ábra). Helyezze be a részecskeszűrőt a szivattyú oldalsó kimenetébe (5.2. ábra). Ezután csatlakoztassa az előkészített tömlőt erre a kimenetre és a szelep PUMP (szivattyú) nyílására a forgó rögzítőelemek és a tömítések használatával (5.3. ábra).

FONTOS: A tömlőbilincseket csak a forgó rögzítőelemek meghúzása után szabad meghúzni!

6. Az előszűrő és a menetes idom összeszerelése

Szerelje fel az átlátszó előszűrőt a szivattyú szívónyílására, majd szerelje fel a tömlőcsatlakozás menetes idomját az előszűrőre (6.1. ábra).

FONTOS: Ügyeljen a használt tömítés alakjára!

6.A A nagy méretű előszűrővel ellátott Azuro 6 m³/h + időzítő berendezés esetén járjon el az alábbiak szerint:

Húzza át a tömítéssel ellátott előszűrőtokot a szivattyúnyíláson, majd rögzítse egy forgó rögzítőelemmel az előszűrő belsejében; helyezze a szűrőkosarat az előszűrőre, majd zárja le a Seeger-gyűrűvel ellátott fedéllel. Egy forgó rögzítőelem használatával szerelje fel a tömítéssel ellátott könyökelemet az aljzatra (6.2. ábra).

FONTOS: Ügyeljen a használt tömítés alakjára!

Csavarja fel a második összekötő tömlő menetes idomját a szelep POOL (medence) nyílására (6.3. ábra)/a könyökelemre (6.4. ábra).

7. A berendezés csatlakoztatása a medencéhez – lásd: 7.1 és 7.2 ábra.

A berendezés medencéhez való csatlakoztatásához használjon a célnak megfelelő medencetömlőket és tömlőbilincseket.

A termék üzemeltetése

1. A szivattyú feltöltése vízzel/a szivattyú légtelenítése

Vegye le a fedelet a WASTE (szennyvíz) nyílásról (8.1 ábra), forgassa a szelep karját VENTING (légtelenítés) állásba, majd várja meg, hogy víz kezdjen kifolyni a nyílásból (8.2. ábra). Ezután állítsa a szelep karját CLOSED (zárt) állásba, majd csavarozza vissza a fedelet. Végül állítsa a kart FILTERING (szűrés) állásba. Ezután megkezdheti a szűrést.

Az első használat előtt, valamint a homoktöltet cseréje után, első lépésként át kell mosni a homokot.

2. Beindítás

A berendezés bekapcsolásához használja a berendezés hátulján lévő kapcsolót.

ON (BE) – 9.1 ábra

OFF (KI) – 9.2 ábra



Mielőtt a berendezést az elektromos hálózathoz csatlakoztatná, ellenőrizze a szelep állását.

Ne kapcsolja be a berendezést, ha a hatállású szelep CLOSED (zárt) állásban van, vagy ha a keringtető csővezetéken nem tud átfolyni a víz.

2.A A „T” jelzéssel ellátott Azuro berendezés beállítható időzítővel rendelkezik (9.3. ábra):

A mozgatható kapcsolóval válassza ki a kívánt funkciót. Az időzítő 20 perces lépésekben állítható 24 órás ciklusban. Egy fokozat 20 percre felel meg, vagyis három fokozat jelent egy órát. A LED azt jelzi, hogy az eszköz üzemel.

3. Üzemeltetés

Állítsa a szűrőt FILTERING (szűrés) állásba, majd kapcsolja be a berendezést. Rendszeresen ellenőrizze az áteresztőképességet (a nyomásmérő által jelzett nyomást), és ennek megfelelően mossa át a homokot.

A szűrés gyakoriságát érdemes a medence mérete és a használat gyakorisága szerint megválasztani. A megfelelő szűréshez naponta legalább egyszer el kell végezni a víz szűrését. Ezért a szűrőberendezés minimális üzemeltetési ideje a medence térfogatának és a szűrőberendezés áteresztőképességének a hányadosa.

Példa: Az AZURO 2 m³/h használata és egy 10 m³-es medence esetén a minimális üzemeltetési idő 5 óra.

4. Az előszűrő tisztítása

Ha az előszűrő szemmel láthatóan koszos, vagy ha a szűrőberendezés nem működik kielégítően, vízszugárral tisztítsa meg az előszűrőt (10.1. ábra). AZURO 6 m³/h + időzítő (10.2. ábra).

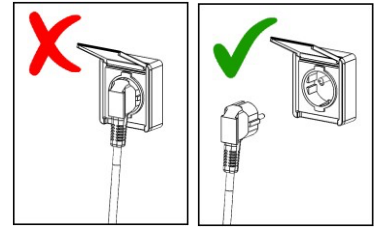
5. A homok átmosása

A tartály nyomása alapján lehet megállapítani, hogy mikor van szükség a szűrőközeg átmosására. Tiszta szűrőhomok esetén az első üzemeltetésnél jegyezze fel a nyomásértéket; ha később a nyomás több mint egy egységgel nő a mérőn, akkor el kell végezni a VISSZAMOSÁST (2–3 perc) és az öblítést (kb. 30 másodperc) – lásd: „Szeleppállások”. Ha naponta egyszer végeznek szűrést, akkor ajánlott évente legalább egyszer átmosni a homokot.

A VISSZAMOSÁS, az ÖBLÍTÉS és a SZENNYVÍZ szűrőfunkciókhoz a szennyvízszervélynt használhatja – a kupak helyett csavarja rá a menetes idomot (vagy a szennyvíztömlő menetes idomjával ellátott könyökelemet) közvetlenül a WASTE (szennyvíz) nyílásra.

AMIKOR LEERESZTI A VIZET A WASTE (SZENNYVÍZ) NYÍLÁSON KERESZTÜL, ÜGYELJEN RÁ, HOGY BETARTSA A SZENNYVÍZKEZELÉSRE VONATKOZÓ TÖRVÉNYI ELŐÍRÁSOKAT. ÜGYELJEN RÁ, HOGY NE JUSSON VÍZ OLYAN HELYEKRE, AHOL AZ KÁRT TEHET. A WASTE (SZENNYVÍZ) NYÍLÁS SZENNYVÍZTÖMLŐ-CSATLAKOZTATÓ MENETTEL SZERELHETŐ FEL. SZŰRÉS KÖZBEN A WASTE (SZENNYVÍZ) NYÍLÁSNAK LEZÁRT ÁLLAPOTBAN KELL LENNIE, AMELYHEZ EGY KUPAK HASZNÁLHATÓ.

A többállású szelep kezelése



Mielőtt módosítaná a szelep állását, áramtalanítsa a berendezést.

A szivattyú kikapcsolása után várjon kb. fél percet, hogy a szennyeződések és a homok le tudjon ülepedni.

Nyomja le a kart (12.1 ábra), majd fordítsa el a kívánt állásba (12.2 ábra).

A medencevíz gondozása

A szűrőrendszer a szemmel látható szennyeződések szűrésére szolgál. A medencevíz tisztaságát veszélyeztető algát, baktériumokat és mikroorganizmusokat azonban nem. Számos olyan megelőzésre szolgáló termék kapható, amelyeket megfelelő koncentrációban alkalmazva megőrizheti a medencevíz tisztaságát és higiéniáját.

Karbantartás

A medence aktív használata során rendszeresen ellenőrizze a berendezés működését. Fontos, hogy felismerje és elhárítsa az esetleges hibákat. A forgalmazó nem vállal felelősséget a szűrőegység vagy az elektromos berendezés meghibásodása által okozott károkért.

Rendszeresen mossa át a homokot. Ha az átmosással nem sikerül javítani a szűrőhomok átteresztőképességét (vagyis ha a nyomásmérő által jelzett érték továbbra is magas marad), akkor cserélje ki a homokot.

A szűrőkupak és a tartály tisztítására ne használjon oldószereket, mert ez kárt tehet a felületekben (elveszíthetik fényességüket, átlátszóságukat stb.).

Téliesítés

A szezon végén meg kell tisztítani, le kell ereszteni és el kell tenni a szűrőberendezést. Válassza le a szűrőberendezést a medencéről, majd a szűrőtartály alján található ürítőszelepet használva eressze le a vizet a tartályból.

Nyissa fel a szűrőtartályt, majd távolítsa el a homokot. Tisztítsa meg a homokot, majd távolítsa el az esetleges hordalékokat. Rendszeresen cserélje ki a tartály homokját.

Télre tegye el és fagytól mentes, száraz helyen tárolja a szűrőberendezést. Állítsa a szelepkart VENTING/WINTERIZING (légtelenítés/téliesítés) állásba.

Garanciális feltételek és szerviz

A viszonteladó jótállási jegyén feltüntetett garanciális feltételek vannak érvényben.

Ha segítségre, szerviztámogatásra vagy cserealkatrészre van szüksége, forduljon a forgalmazóhoz. A karbantartáshoz és javításhoz eredeti cserealkatrészeket használjon.

A termék bevizsgálása

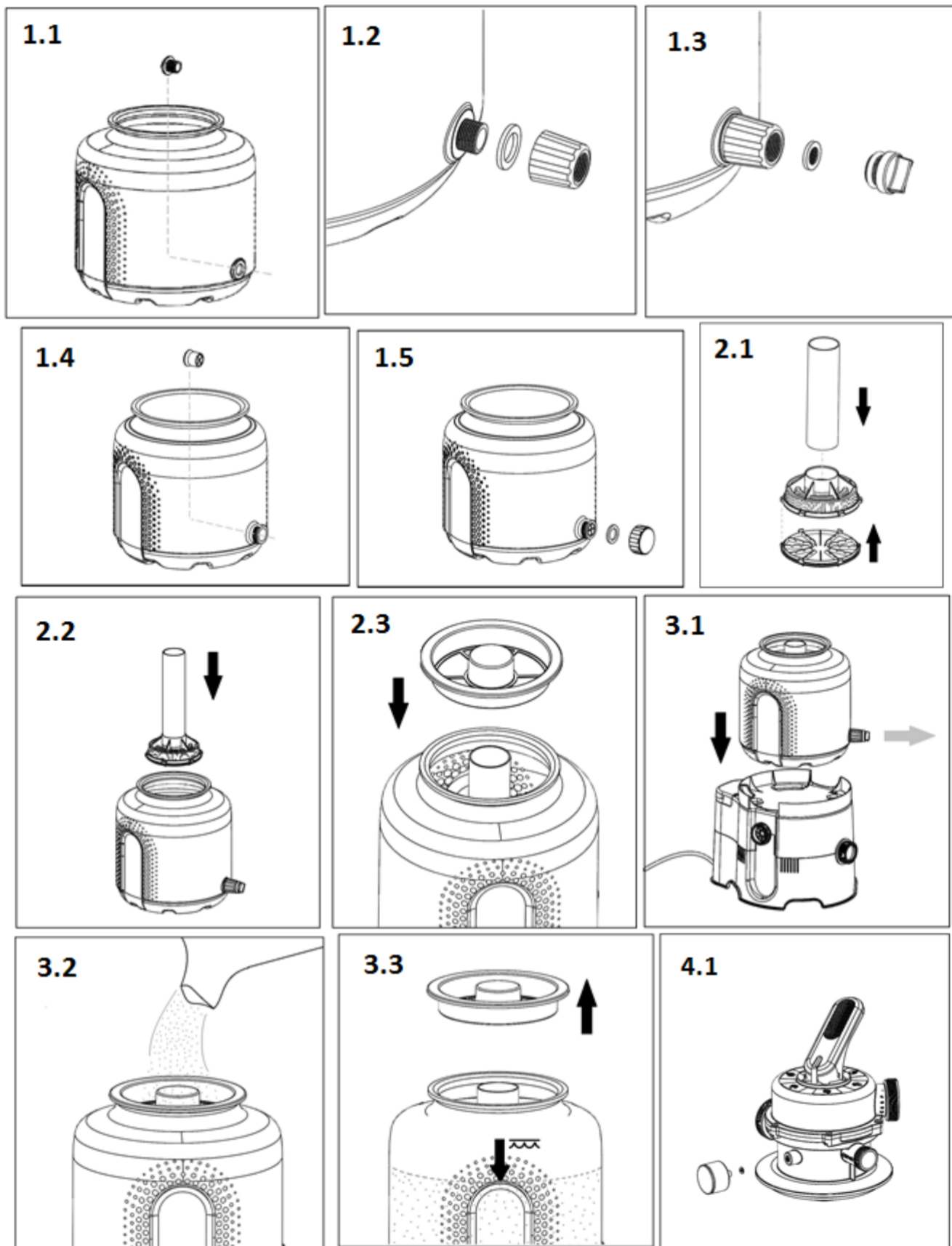
A termékre az EN 60335-2-41 szabvány vonatkozik, és megfelel a 2006/42/ES (a gépekre vonatkozó irányelv), a 2014/30/EU (elektromágneses összeférhetőség), a 2014/35/EU (elektromos berendezések) és az elektromos berendezésekben található veszélyes anyagokra vonatkozó RoHS irányelv követelményeinek.

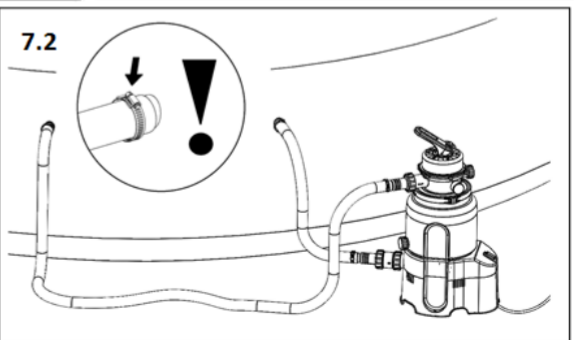
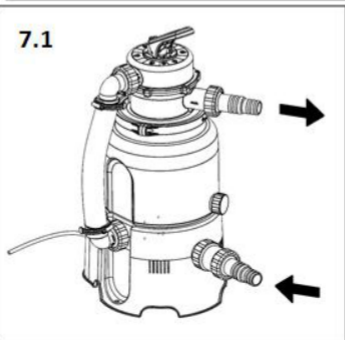
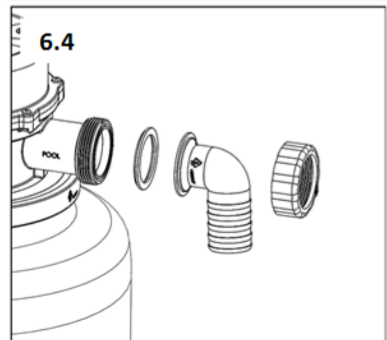
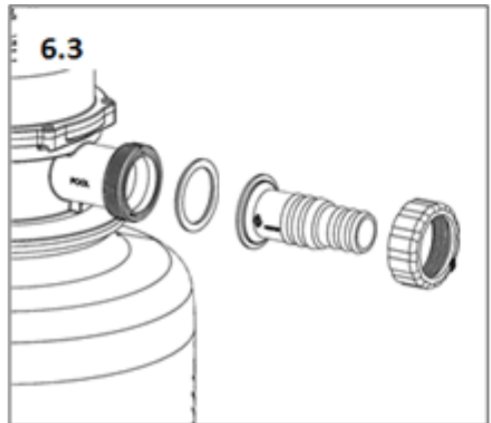
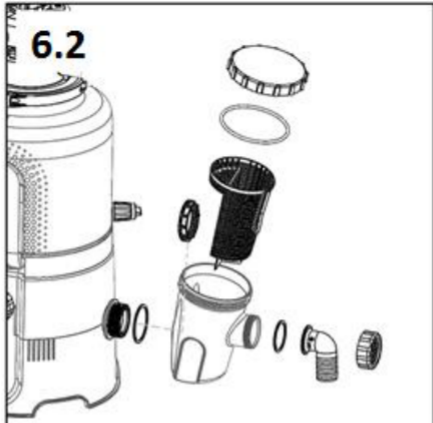
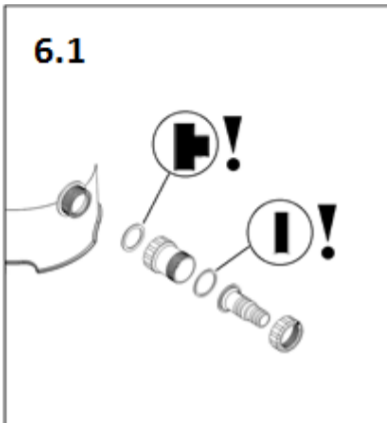
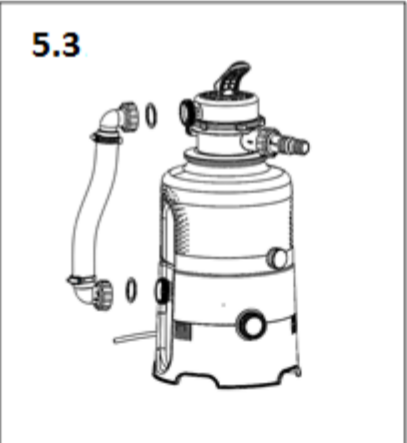
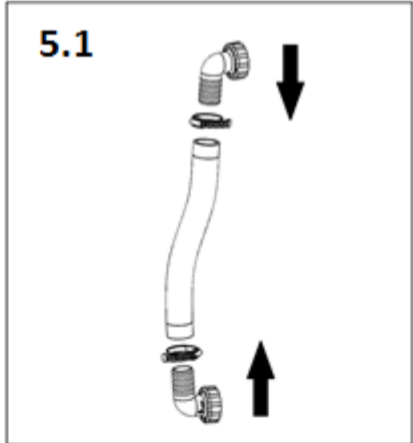
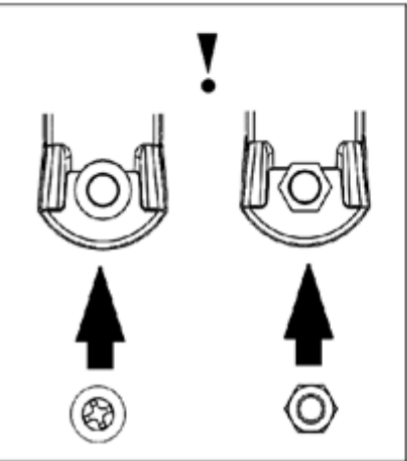
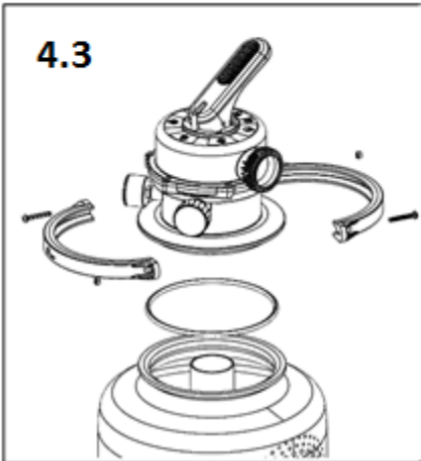
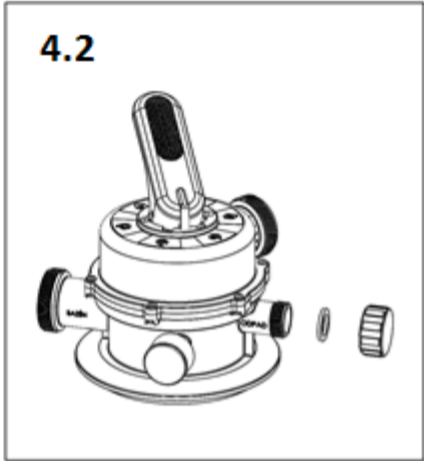
A termék gépek tesztelésére szolgáló hatósági

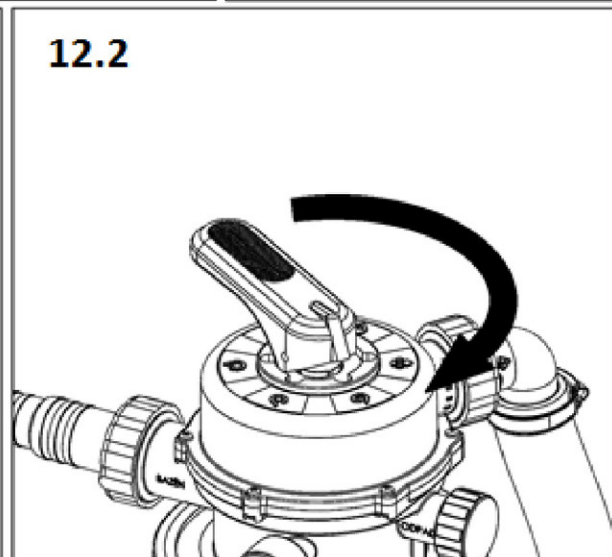
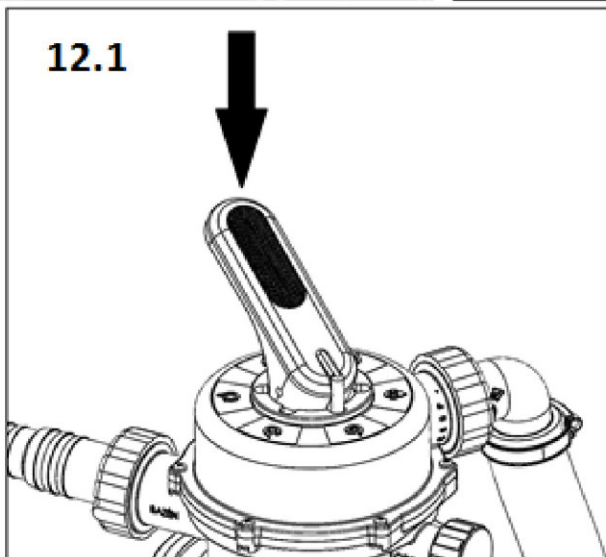
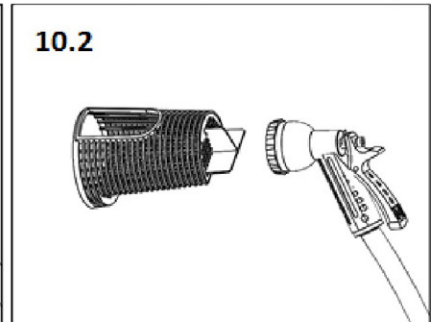
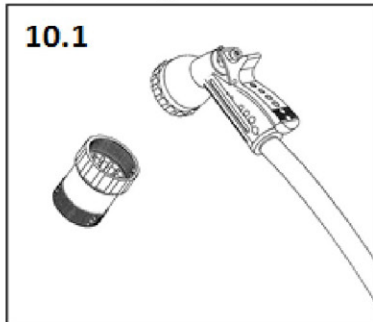
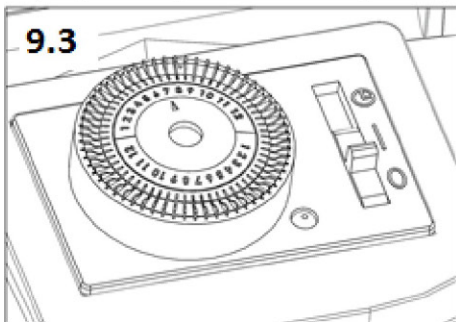
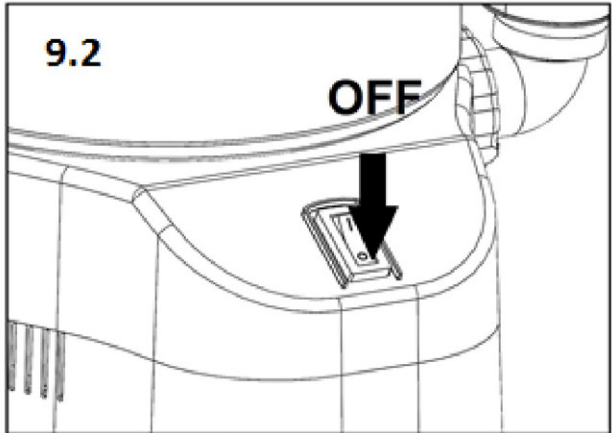
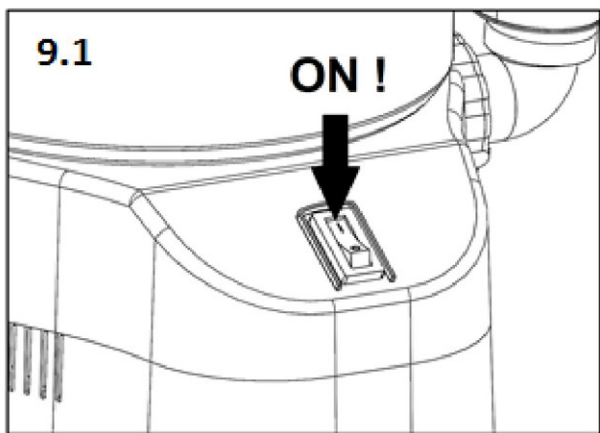
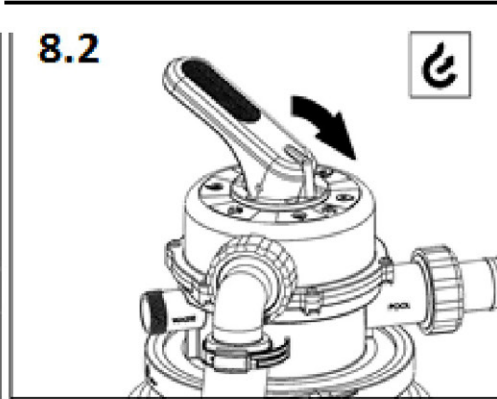
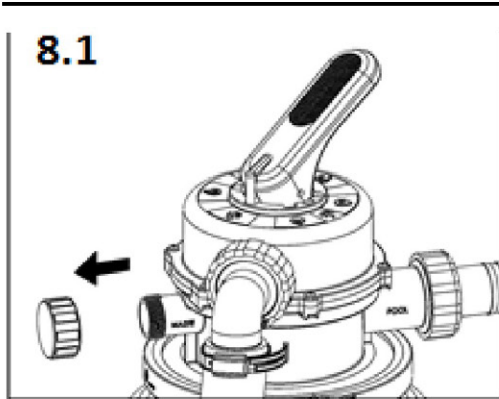
laboratóriumban lett tesztelve.

Hibaelhárítás

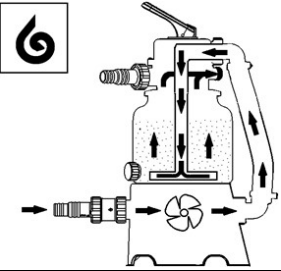
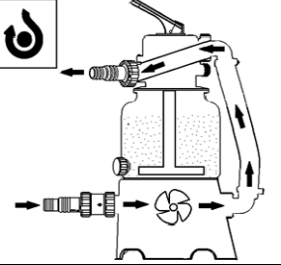
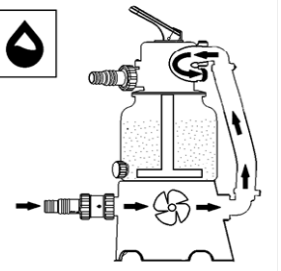
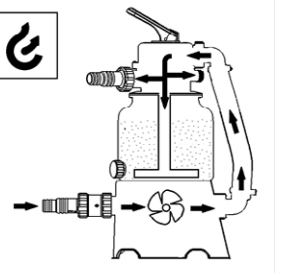
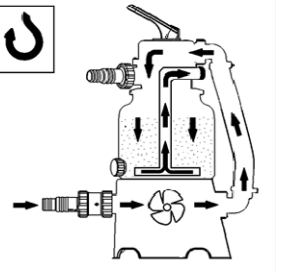
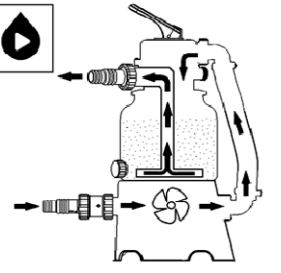
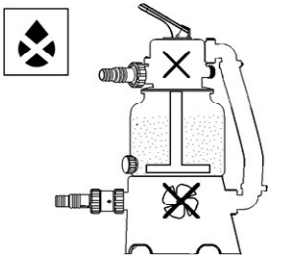
Gyenge áteresztőképesség, vagy egyáltalán nincs áteresztés	A szűrőberendezés nincs légtelenítve.	Légtelenítse a szűrőberendezést.
	A szelepkar CLOSED (zárt) állásban van	Állítsa a kart FILTERING (szűrés) állásba.
	A homok túlságosan szennyezett	MOSSA ÁT vagy cserélje ki a homokot.
	Eltömődött az előszűrő	Szerelje le, majd mossa át az előszűrőt.
	Eltömődött az uszadékfogó	Szerelje le, majd mossa át az uszadékfogó kosarat.
	Károsodott a szűrőberendezés	Forduljon a szervizhez.
Homok kerül a medencébe.	Szűrés közben állították át a szelepkart	A szelepkar átállítása előtt kapcsolja ki a szűrést.
	Túl kis szemcseméretű a szűrőhomok	Az ajánlott szemcseméret 0,6–1,2 mm
	Túl sok homok van a tartályban	Csökkentse a homok mennyiségét a tartályban
A szivattyú levegőt szív be (buborék képződik a rendszerben)	Nincsenek eléggé meghúzva a csatlakozások	Óvatosan húzza meg a forgó rögzítőelemeket.
	Szivárgás az előszűrő csatlakozásainál	Cserélje ki a csatlakozások tömítéseit.
	Sérült a tömítés	Ellenőrizze a szivattyú előtti szakasz csatlakozásának a tömítését.
Víz szivárog a berendezésből	Szivárgás van a csatlakozásoknál	Húzza meg/cserélje ki a csatlakozások tömítéseit.
	Sérült a tömítés	Ellenőrizze a tömítést.
Nem sikerül megtisztítani a medencevizet.	A víz vegyszeres kezelése nem elégséges	Ellenőrizze a víz pH-értékét és klórtartalmát.
	Túl rövid ideig tart a szűrés	Növelje meg a szűrés időtartamát.







Szelepállások

	<p>BACKWASH (VISSZAMOSÁS) – A víz az ellenkező irányba folyik át a homokon, ezzel kimosva a szennyeződések; ez a víz nem kerül vissza a medencébe, hanem a WASTE (szennyvíz) nyíláson keresztül távozik a rendszerből – vegye le a kupakot!</p>
	<p>BYPASS (MEGKERÜLÉS) – A víz a homoktöltetet megkerülve folyik át a berendezésen.</p>
	<p>WASTE (SZENNYVÍZ) – A víz megkerüli a homoktöltetet és kifolyik a WASTE (szennyvíz) nyíláson keresztül – vegye le a kupakot! Ez az állás a medence vízszintjének a csökkentésére, vagy a medencében lévő durva szennyeződések eltávolítására szolgál.</p>
	<p>VENTING/WINTERIZING (LÉGTELENÍTÉS/TÉLIESÍTÉS) – Ebben az állásban a szelep minden irányban átjárható; ahogy a levegő eltávozik, a szivattyú kamrái úgy telnek meg vízzel. Ez az állás szolgál továbbá a szűrőberendezés téliesítésére vagy hosszú távú eltárolására.</p>
	<p>RINSE (ÖBLÍTÉS) – Ezt az állást az új homoktöltet behelyezését követő első használatkor, valamint visszamosás után kell használni; a felkavart homok leülepedik, a maradék szennyeződés pedig távozik a WASTE (szennyvíz) nyíláson át – vegye le a kupakot!</p>
	<p>FILTERING (SZŰRÉS) – Ez a szelep fő állása; a berendezés átszűri a vizet a homokon, majd visszajuttatja a medencébe.</p>
	<p>CLOSED (ZÁRT) – Ne kapcsolja be a berendezést!</p>

**Filtres à sable
Azuro 2 m³/h
Azuro 4 m³/h
pour piscines hors-sol**

Manuel d'installation, d'assemblage et d'utilisation



(manuel d'utilisation original)



LIRE, COMPRENDRE ET RESPECTER ENTIEREMENT TOUTES LES INSTRUCTIONS DU MANUEL AVANT L'INSTALLATION ET L'UTILISATION DE CE PRODUIT.

GARDER LE MANUEL POUR REFERENCE ULTERIEURE.

Généralités

Fabriqué pour Mountfield a.s. par Garsys s.r.o., Zone industrielle dans la mine František, K Prádlu, 735 Horní Suchá, 735 35 ; pays d'origine : République tchèque

Consignes de sécurité



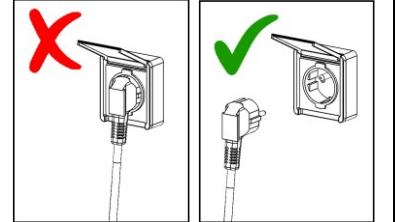
Ce symbole marque les consignes dont le non-respect peut mettre en danger la santé des personnes.



Ce symbole marque les consignes dont le non-respect peut résulter en blessures par électrocution.



DEBRANCHER L'APPAREIL DE LA SOURCE D'ALIMENTATION, SI VOUS NAGEZ DANS LA PISCINE OU LA MANIPULEZ D'UNE QUELCONQUE MANIERE.

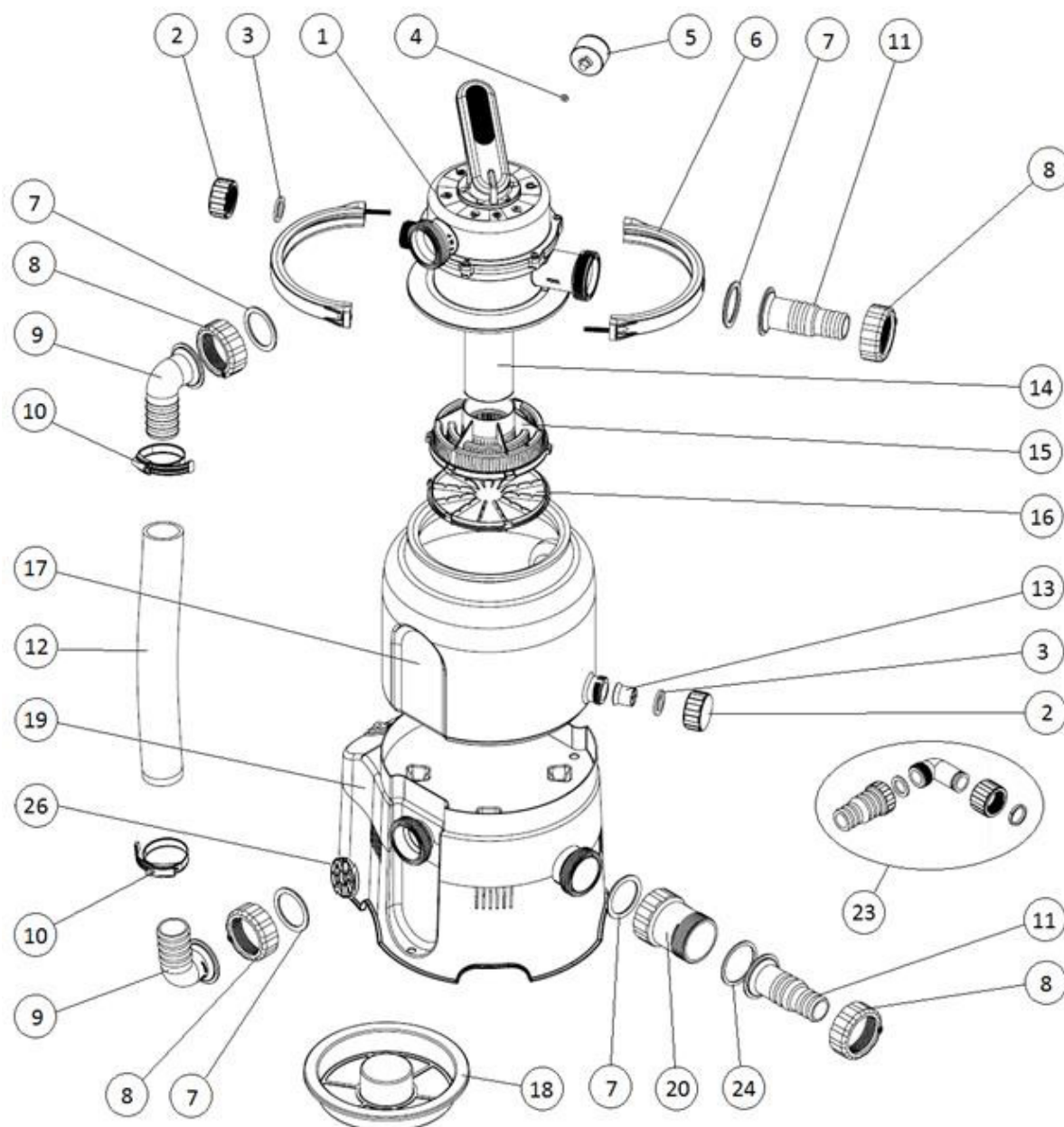


LIRE ET RESPECTER TOUTES LES INSTRUCTIONS.

Le non-respect des consignes de ce manuel peut résulter en blessures, voire mort par électrocution.

- Les enfants âgés de 8 ans et plus, et les personnes ayant des capacités physiques, sensorielles ou mentales réduites, ou n'ayant pas d'expérience ou connaissance peuvent utiliser l'appareil seulement s'ils sont surveillés ou instruits à l'utilisation sans risque de l'appareil et s'ils comprennent les dangers qui en résultent. Les enfants ne peuvent pas jouer avec l'appareil. Le nettoyage et la maintenance d'utilisateur ne peut pas être effectués par des enfants sans surveillance.
- S'assurer que la source d'alimentation de l'appareil réponde aux normes ČSN applicables et qu'elle soit placée au moins à 3,5 mètres de la piscine et protégée par un dispositif différentiel à courant résiduel avec un courant de déclenchement inférieur à 30 mA.
- L'appareil est à connecter directement à la prise électrique. Si vous vous servez d'une extension, utilisez uniquement des extensions conformes aux normes ČSN relatives à une application extérieure.
- Ne pas essayer de déconnecter le câble d'alimentation de la prise avec les mains mouillées ou lorsque vous êtes dans l'eau.
- Placer le dispositif de manière que les enfants ne puissent pas s'en servir d'outil accessoire pour entrer dans la piscine.
- Garder les enfants à une distance de sécurité de l'appareil et du câble d'alimentation. S'assurer que les enfants ne puissent pas jouer avec l'appareil
- Ne pas enfoncer le câble d'alimentation de l'appareil dans le sol (pour éviter l'endommagement). Le placer de manière que des tondeuses, des taille-haies ou des outils similaires ne puissent pas l'endommager.
- Laisser le câble d'alimentation accessible uniquement au personnel de maintenance (si la source d'alimentation doit être déconnectée).
- L'appareil doit être déconnecté du réseau avant que des personnes n'entrent dans la piscine. L'appareil ne peut pas être utilisé s'il y a des personnes dans la piscine.
- Ne jamais faire fonctionner l'appareil sans eau.
- Ne jamais faire fonctionner l'appareil s'il est endommagé ou défectueux. Tous les défauts sont à réparer immédiatement.
Utiliser des pièces de rechange originales à des fins de maintenance et de réparation.
- Ne jamais mettre en marche l'appareil si la valve à six voies est en position CLOSED ou si le circuit de tuyaux est infranchissable ; autrement il y aura un risque d'endommagement, de casse, d'avulsion des couvercles, ce qui peut entraîner des dommages corporels ou de propriété.
- Vérifier régulièrement le statut de décantation du filtre, et nettoyer le préfiltre et le panier d'écumeur pour éviter l'endommagement de la pompe et assurer le fonctionnement conforme du système.

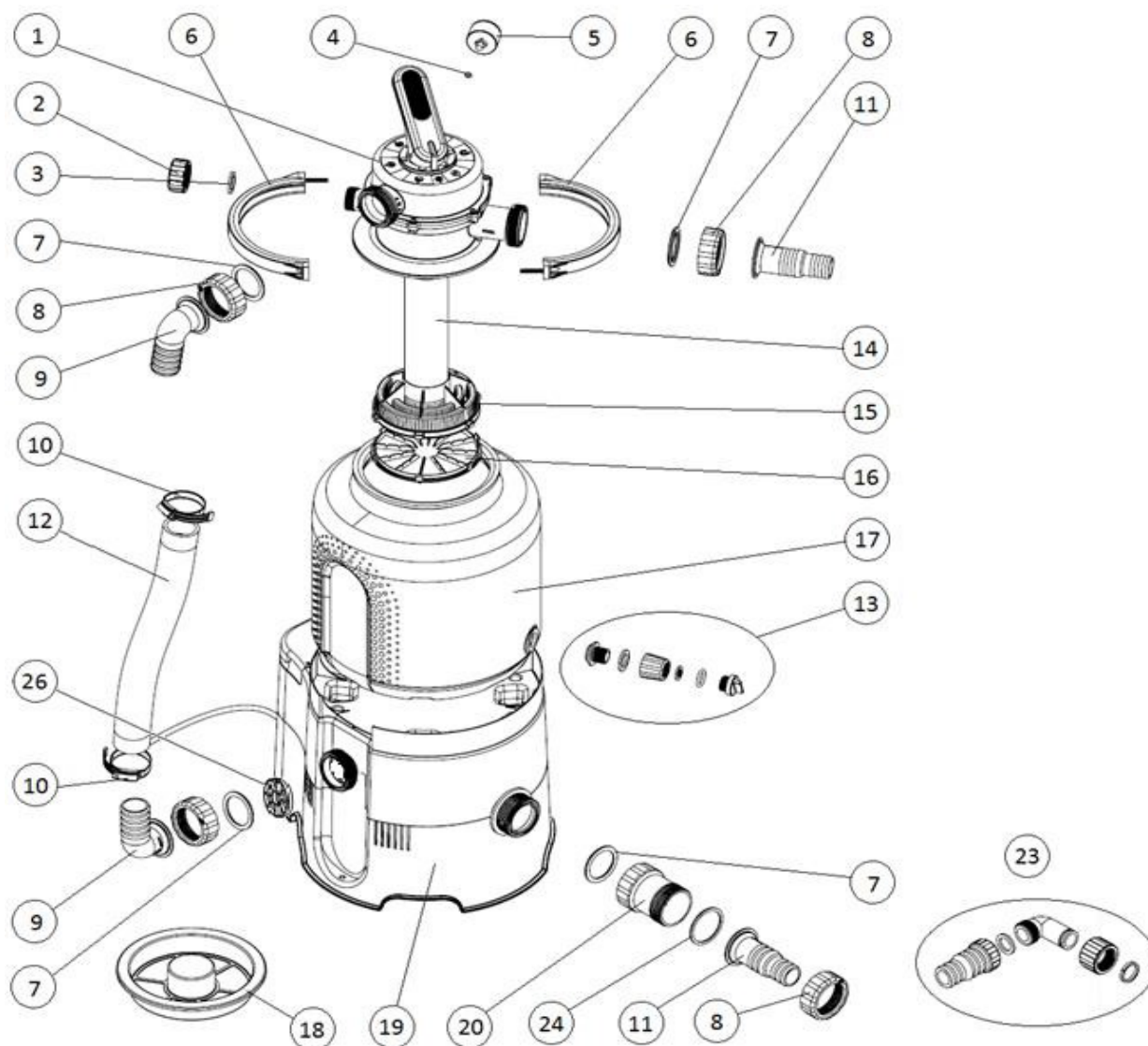
Liste des composants – AZURO 2 m³/h



Élément	Nom	Quantité
1	Valve multivoie	1
2	Bouchon	2
3	Joint de couvercle plat	2
4	Joint de manomètre plat	1
5	Manomètre	1
6	Manchon de valve 1/2, avec des matériels de connexion	2
7	Joints en forme de broche et de coude	4
8	Écrous en forme de broche et de coude	4
9	Coude D38	2
10	Collier de serrage 40-60	2
11	Broche D32/38	2
12	Tuyaux interconnectés	1
13	Crépine d'évacuation	1

Élément	Nom	Quantité
14	Tuyau d'aspiration	1
15	Panier d'aspiration	1
16	Panier d'aspiration inférieur	1
17	Vaisseau	1
18	Trémie	1
19	Base avec pompe	1
20	Préfiltre	1
21	Tuyau de piscine – 3 pièces	2
22	Collier de serrage 25-40	4
23	Kit de déchet	1
24	Joint de préfiltre plat	1
25	Bande de téflon	1
26	Grille de protection d'intrusion de corps étrangers	1

Liste de composants – AZURO 4 m³/h



Élément	Nom	Quantité
1	Valve multivoie	1
2	Bouchon	1
3	Joint de couvercle plat	1
4	Joint de manomètre plat	1
5	Manomètre	1
6	Manchon de valve 1/2, avec des matériels de connexion	2
7	Joints en forme de broche et de coude	4
8	Écrous en forme de broche et de coude	4
9	Coude D38	2
10	Collier de serrage 40–60	2
11	Broche D32/38	2
12	Tuyaux interconnectés	1
13	Boulonnage d'évacuation	1

Élément	Nom	Quantité
14	Tuyau d'aspiration	1
15	Panier d'aspiration	1
16	Panier d'aspiration inférieur	1
17	Vaisseau	1
18	Trémie	1
19	Base avec pompe	1
20	Préfiltre	1
21	Tuyau de piscine – 3 pièces	2
22	Collier de serrage 25–40	4
23	Kit de déchet	1
24	Joint de préfiltre plat	1
25	Bande de téflon	1
26	Grille de protection d'intrusion de corps étrangers	1

Objectif

Cette unité de filtration est conçue pour filtrer l'eau dans des piscines hors-sol. Elle ne convient pas pour les piscines fonctionnant tout au long de l'année. La pompe de filtration n'est pas de type d'aspiration automatique, c'est la raison pour laquelle la filtration doit être installée au dessous du niveau d'eau dans la piscine, avec des eaux naturelles.

AVERTISSEMENT : Les images de ce manuel sont purement illustratives et peuvent différer du produit proprement dit. Nous nous réservons le droit de modifier partiellement ou entièrement le produit sans préavis.

Conditions d'utilisation de l'unité de filtration

- pH d'eau de 6 à 8,5
- teneur en chlore maximale de 10 mg/l
- teneur en sel maximale de 0,5%

Avant la mise en service

Avant l'installation et la mise en service de l'appareil, déballer tous les composants. Garder l'équipement de filtration à une distance de sécurité de ses environs (permettant l'utilisation sans risque).

L'équipement de filtration doit être posé sur une plateforme (p.ex. plancher de béton, etc.) La plateforme doit être posée et nivelée par un niveau à bulle. L'appareil ne peut pas être posé sur pelouse, comme il peut se surchauffer.

S'assurer que l'appareil ne peut pas être inondé. L'inondation peut endommager le produit ou exposer les personnes au risque de l'électrocution.

Si la piscine est déjà partiellement ou entièrement remplie, l'appareil de filtration doit être installé dans un arbre de filtration qui sera connecté à la piscine. Si votre équipement de filtration est installé dans un arbre, assurez-vous que l'arbre ne peut pas être inondé de l'eau. Pour éviter l'inondation, il est recommandé de le caillouter (afin que les petites quantités d'eaux soient absorbées) et de créer un drainage d'égouts direct. Il est important d'assurer la bonne ventilation de l'arbre, autrement l'appareil peut être endommagé à cause de la condensation d'eau.

Les accessoires requis, comme les tuyaux, les colliers de serrage et le sable de filtration (non inclus dans l'emballage) sont disponibles auprès du vendeur.



Ne pas faire fonctionner à sec (sans eau) !!! Une telle utilisation de l'équipement de filtration entraîne la perte de la garantie.

Données techniques

	AZURO 2 m ³ /h	AZURO 4m ³ /h
Tension	230 V / 50 Hz	230 V / 50 Hz
Consommation d'énergie	85 W	190 W
Débit du système	2 m ³ /h	4 m ³ /h
Classe de protection	IP X5	IP X5
Décharge	1,5 m	1,5 m
Diamètre du filtre	143 mm	143 mm
Surface de filtration effective	0,036 m ²	0,036 m ²
Pression de service	0,2 bar	0,3 bar
Pression d'utilisation maximale	0,4 bar	0,6 bar
Température d'eau maximale	35 °C	35 °C
Charge de sable	10 kg	14 kg
Granularité	0,6 - 1,2 mm	0,6 - 1,2 mm



Protégez l'environnement ! NE PAS jeter ce produit avec les ordures ménagères. Le produit comprend des composants électriques/électroniques. Conformément à la directive européenne 2012/19/EU, les appareils électriques et électroniques ne peuvent pas être jetés avec le déchet commun – il faut les emmener aux points de collecte dédiés pour être éliminés d'une manière consciencieuse de l'environnement. Les informations relatives à ces points sont disponibles à l'Hôtel de ville.

Assemblage

Note : Comme toutes les connexions sont munies de joints, il n'est pas nécessaire de trop serrer les écrous. Cela peut endommager les pièces plastiques.

Note : Vous aurez besoin d'un tournevis cruciforme pour l'assemblage.

1. Montage du boulonnage d'évacuation dans le vaisseau.

Mettre le contre-élément fileté à travers l'ouverture d'évacuation du vaisseau depuis l'intérieur (**FIG. 1.1**) Mettre un joint sur le filetage en saillie et visser le raccord (**FIG. 1.2**). Mettre la crépine de sable dedans. Pousser la crépine vers l'intérieur en vissant le couvercle avec le joint torique (**FIG. 1.3**). Il suffit de serrer à la main pour l'étanchéité de la connexion. Vous pouvez endommager les pièces si vous utiliser des pinces.

1.A Pour les vaisseaux de 10 l avec raccord d'évacuation, procéder comme suit :

Mettre la crépine d'évacuation à travers l'ouverture d'évacuation du vaisseau depuis l'intérieur (**FIG. 1.4**) Visser le couvercle avec un joint sur le raccord (**FIG. 1.5**). Il suffit de serrer à la main pour l'étanchéité de la connexion. Vous pouvez endommager les pièces si vous utiliser des pinces.

2. Installation du panier d'aspiration

Connecter le fond du panier au panier d'aspiration lui-même en le cliquant dans les 6 verrouillages autour de son périmètre. Mettre un tuyau d'aspiration dans le panier d'aspiration assemblé (**FIG. 2.1**). Mettre l'unité dans le vaisseau vide (**FIG. 2.2**) et fixer sa position en installant la trémie (**FIG. 2.3**). Le vaisseau est prêt à être rempli.

3. Remplissage avec du sable

Avant de remplir, nous vous conseillons de poser le vaisseau sur la plateforme de pompe. Le vaisseau rempli est difficile à manipuler. Ajuster les écumeurs du côté vaisseau avec les écumeurs dans le support ; le boulonnage d'évacuation doit être orienté vers la direction opposée à l'interrupteur (**FIG. 3.1**).

Avec la trémie installée, remplir le vaisseau avec la quantité nécessaire de sable (**FIG. 3.2**). Le niveau de sable dans le vaisseau doit atteindre le haut des écumeurs de côté (**FIG. 3.3**). Ensuite, démonter la trémie et enlever les grains de sable et d'autres impuretés de la surface de connexion de la prise de vaisseau.

4. Installation de la valve multivoie

Mettre un joint torique à travers le fond de la valve et mettre la valve sur la prise du vaisseau rempli. Ajuster la valve de manière que sa prise de PUMP/ČERP soit orientée vers la même direction que la sortie de pompe dans le support de vaisseau. Ensuite, mettre les deux moitiés de manchon dans le logement de vaisseau, les connecter avec des boulons (**FIG. 4.3**) et les serrer uniformément.

Insérer un petit joint de caoutchouc dans l'ouverture du manomètre, visser le corps du manomètre (**FIG. 4.1**) à la main, et le serrer légèrement.

!!! S'assurer que le vissage est correctement fait ; autrement vous pouvez endommager le filetage fine !!!

Visser le couvercle avec un joint sur le port WASTE/ODPAD (**FIG. 4.2**).

5. Installation du tuyau de connexion

Mettre les colliers de serrage sur le tuyau, mettre les coudes avec des écrous pivotant aux deux extrémités du tuyau (**FIG. 5.1**). Insérer la grille à particules dans la sortie de côté de la pompe (**FIG. 5.2**) ; ensuite, connecter le tuyau préparé à cette sortie et le port PUMP/ČERP de la valve en utilisant des écrous pivotants et des joints (**FIG. 5.3**).

!!! Les colliers de serrage sont à serrer seulement après avoir serré les écrous pivotants !!!

6. Assemblage du préfiltre et de la broche

Monter le préfiltre transparent sur la prise d'aspiration de la pompe, ensuite monter la broche de connexion du tuyau sur le préfiltre (**FIG. 6.1**).

!!! Attention à la forme des joints utilisés !!!

6.A Pour l'équipement de filtration Azuro 6m³/h + Minuteur à préfiltre large, procéder comme suit :

Tirer le corps du préfiltre avec le joint sur la prise de pompe, et utiliser un écrou pivotant à l'intérieur du préfiltre ; mettre le panier d'impuretés sur le préfiltre et le fermer par un couvercle avec joint torique. Utiliser un écrou pivotant pour monter le coude avec un joint sur la prise (**FIG. 6.2**).

!!! Attention à la forme des joints utilisés !!!

Visser la deuxième broche de tuyau de connexion sur le port POOL/BAZÉN de la valve (**FIG. 6.3**) / du coude (**FIG. 6.4**).

7. Connecter l'appareil à la piscine – voir FIG. 7.1. et 7.2.

Utiliser des tuyaux de piscine et des colliers de serrage adéquats pour connecter l'appareil à la piscine.

Utilisation du produit

1. MISE SOUS EAU/ÉVACUATION DE LA POMPE

Enlever le couvercle du port « ODPAD/WASTE » (FIG. 8.1), tourner le levier de la valve dans la position VENTING, et attendre jusqu'à ce que l'eau ne commence à couler par le port (FIG. 8.2). Ensuite, tourner le levier de la valve en position CLOSED, et revisser le couvercle. Finalement, tourner le levier en position FILTERING. Maintenant, vous pouvez démarrer le filtrage.

Avant la première utilisation ou après le rechargement du sable, il faut d'abord rincer le sable.

2. Démarrage

Utiliser l'interrupteur à l'arrière de l'équipement de filtration pour mettre en marche l'appareil.

MARCHE – FIG. 9.1

ARRÊT – FIG. 9.2



Avant de connecter l'appareil au réseau, vérifier la position de la valve !

Ne jamais mettre en marche l'appareil si la valve à six voies est en position FERMÉE ou si le circuit de tuyaux est infranchissable.

2.A Équipement Azuro avec les fonctionnalités marquées « T » comprend un minuteur ajustable (FIG. 9.3) :

Utiliser l'interrupteur mobile pour sélectionner la fonctionnalité souhaitée. Le minuteur peut être réglé par des intervalles de 20 minutes, dans un cycle de 24 heures. Une intervalle correspond à 20 minutes, ainsi 3 intervalles sont égales à 1 heure. L'indicateur LED montre que la machine est en marche.

3. Fonctionnement

Tourner la valve en position FILTERING, et mettre l'appareil en marche. Vérifier régulièrement le flux continu de filtration (pression sur le manomètre) et rincer le sable selon les valeurs mesurées.

Il est recommandé de configurer le programme de filtration de manière qu'il corresponde à la taille et à l'utilisation de la piscine. La filtration adéquate est conditionnée à ce que l'eau soit filtrée au moins une fois par jour. Ainsi, le temps de fonctionnement minimum de l'équipement de filtration est le volume de la piscine divisée par le débit de l'équipement de filtration.

Par exemple : Lors de l'utilisation de l'AZURO 2 m³/hr pour filtrer une piscine de 10m³, le temps minimum serait de 5 heures.

4. Nettoyage du préfiltre

Si le préfiltre est visiblement sale ou les fonctionnalités de l'équipement de filtration sont diminuées, nettoyer le préfiltre avec du jet d'eau (FIG. 10.1). AZURO 6m³/h + Minuteur (FIG. 10.2).

5. Lavage du sable à contre-courant

Par la pression du vaisseau, il est possible de définir quand il est nécessaire de rincer le moyen de filtration. Après la première opération avec du sable de filtration propre, noter la valeur de pression ; si la pression monte par la suite plus qu'une unité sur l'échelle, vous devez effectuer un BACKWASH (2–3 minutes) + RINSE (environ 30 secondes) – voir « Positions de valve ». Si la filtration est utilisée chaque jour, il est recommandé de rincer le sable au moins une fois par jour.

Pour les fonctions de filtrage comme BACKWASH, RINSE et WASTE, vous pouvez utiliser le kit de déchet – visser la broche (ou un coude avec la broche du tuyau de déchet) directement sur le port « WASTE » au lieu d'un capuchon.

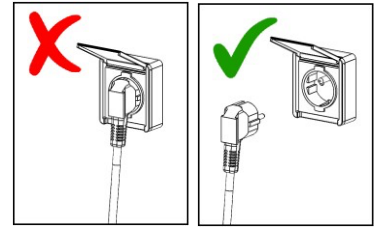
LORS DE L'EVACUATION DE L'EAU PAR LE PORT « WASTE », S'ASSURER DE SE CONFORMER A TOUTES LES EXIGENCES LEGALES RELATIVES A LA GESTION DES EAUX USEES. NE PAS LAISSER COULER L'EAU VERS DES ENDROITS OÙ ELLE PEUT CAUSER DES DOMMAGES PAR INONDATION. LE PORT « WASTE » PEUT ÊTRE MUNI D'UN FILTRAGE DE CONNEXION DE TUYAU DE DECHET. LORS DU FILTRAGE, LE PORT « WASTE » DOIT ÊTRE FERMÉ PAR UN CAPUCHON.

Contrôle de la valve multivoie



Avant de changer la position de la valve, toujours déconnecter l'appareil du réseau électrique.

Avant toute manipulation, attendre environ 30 secondes suivant l'arrêt de la pompe et laisser les impuretés et le sable se déposer.



Pousser le levier vers le bas (**FIG. 12.1**), le tourner dans la position souhaitée (**FIG. 12.2**).

Entretien

Les impuretés visibles sont enlevées par l'utilisation du système de filtration. Pourtant, ce n'est pas le cas concernant les algues, les bactéries et les microorganismes qui représentent un obstacle constant pour avoir de l'eau propre et sûre dans votre piscine. Il existe plusieurs produits préventifs spéciaux qui, en une concentration adéquate, agissent contre tout ce qui précède, et maintiennent l'eau de votre piscine hygiéniquement saine et propre.

Maintenance

Pendant la saison de nage, vérifier régulièrement le fonctionnement de l'appareil. Cela est important pour identifier et remédier les défauts potentiels. Le fournisseur ne peut pas être tenu responsable des dommages causés par l'unité de filtration ou les défauts de l'équipement électrique.

Rincer le sable régulièrement. Si le rinçage n'améliore pas la perméabilité du sable de filtration (la valeur du manomètre reste élevée), changer le sable.

Ne pas utiliser de solvant pour nettoyer le capuchon de filtre ou le vaisseau lui-même, car vous pouvez endommager sa surface (elle peut perdre sa brillance, transparence etc.).

Hivernage

A la fin de la saison, il est nécessaire de nettoyer, vider, démonter et stocker l'équipement de filtration. Déconnecter l'équipement de filtration de la piscine et utiliser la valve d'évacuation, située au fond du vaisseau de filtration, pour évacuer l'eau du vaisseau.

Ouvrir le vaisseau de filtration et enlever le sable. Nettoyer le sable et enlever tous les mottes et boules. Changer le sable du vaisseau régulièrement.

En tant que préparation à l'hiver, rassembler l'équipement de filtration et le stocker dans un endroit sec et résistant à l'hiver. Tourner le levier de la valve en position VENTING/WINTERIZING, ce qui sert à l'hivernage de l'équipement de filtration.

Conditions de garantie et de réparation

Les conditions de garantie s'appliquent comme décrites dans le certificat de garantie du vendeur.

Si vous avez besoin de conseils, de l'assistance ou de pièces de rechanges, veuillez contacter votre revendeur. Utiliser des pièces de rechange originales à des fins de maintenance et de réparation.

Tests de produit

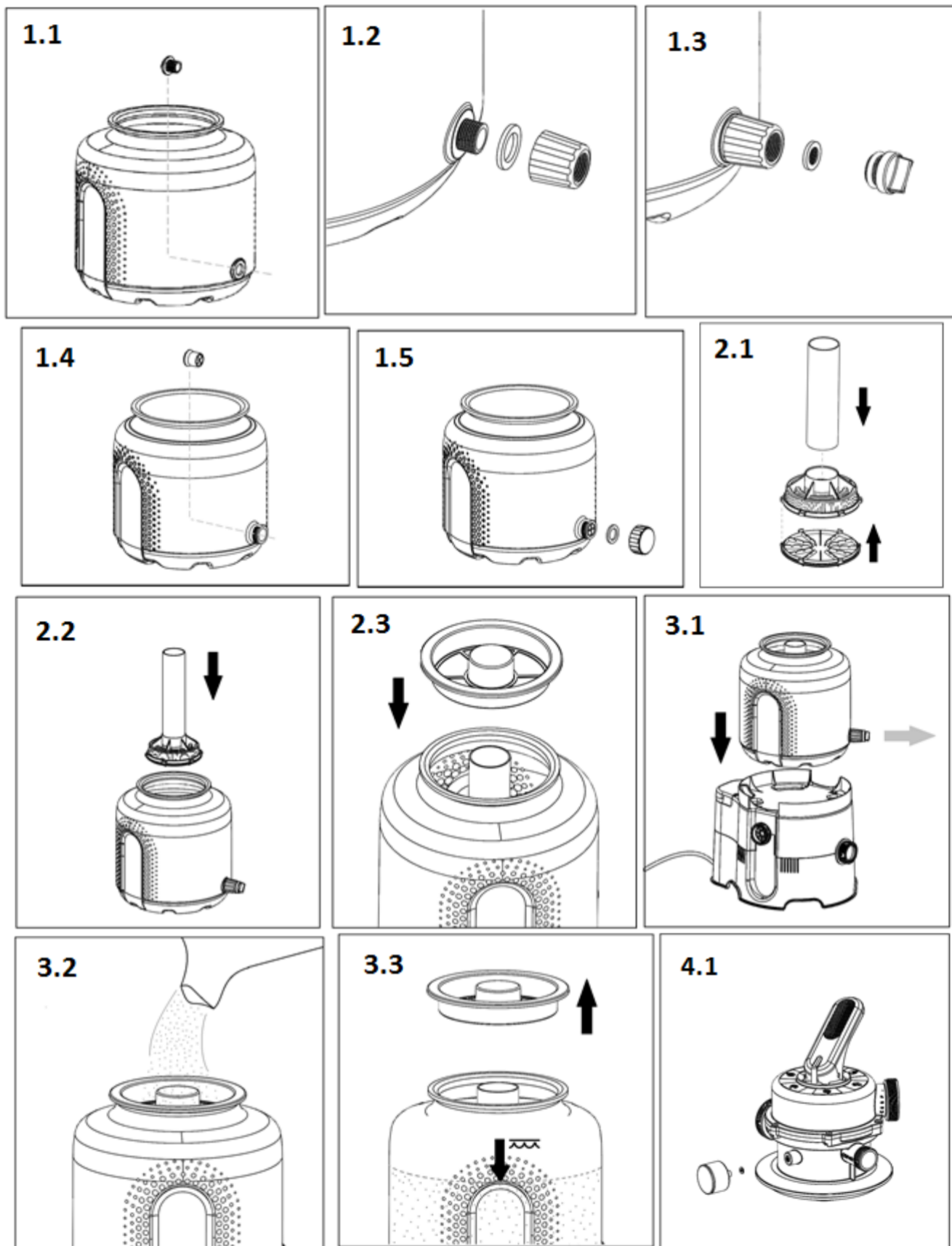
Le produit est soumis à la norme EN 60335-2-41 et conforme aux directives 2006/42/ES (directive sur les machines), 2014/30/UE (compatibilité électromagnétique), 2014/35/UE (équipements électriques) et aux exigences de la directive RoHS sur la teneur en substances dangereuses dans les équipements électriques.

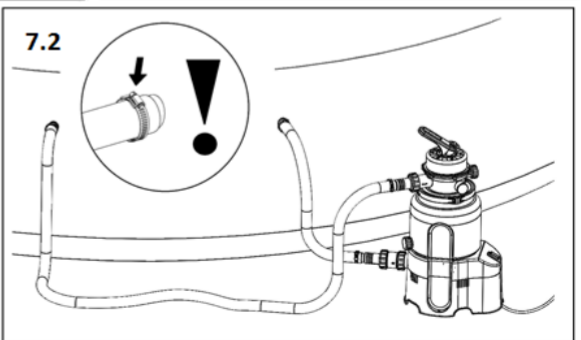
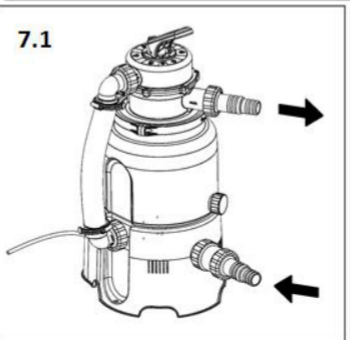
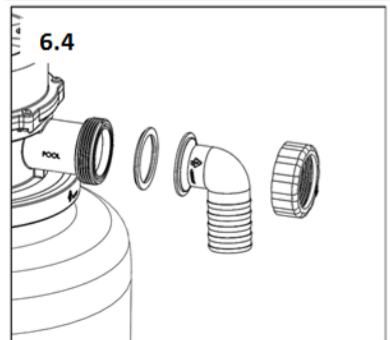
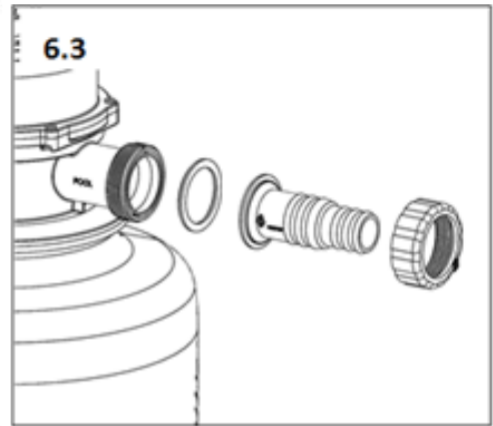
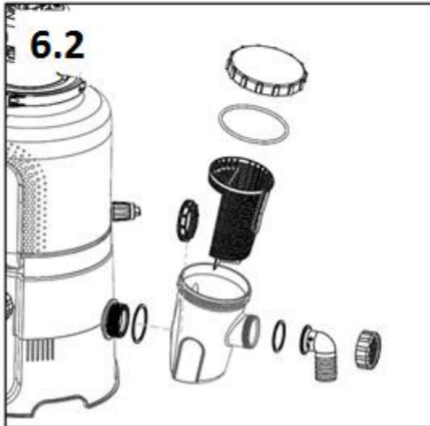
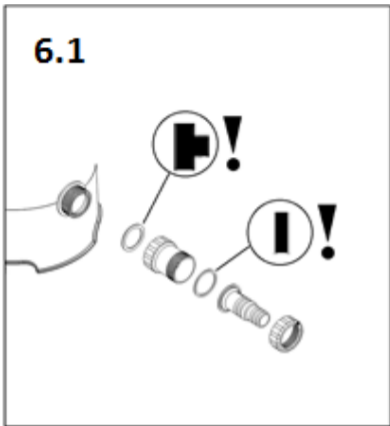
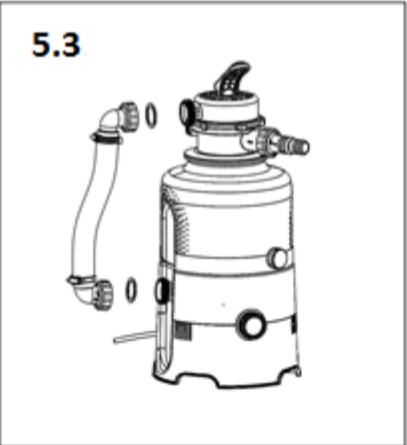
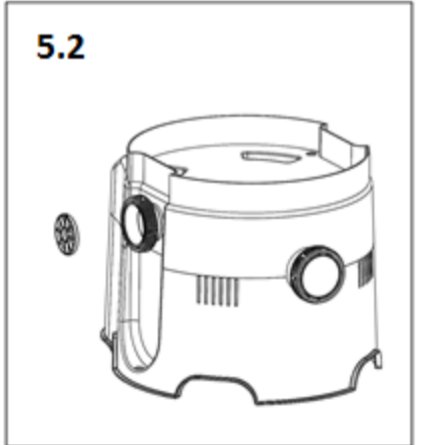
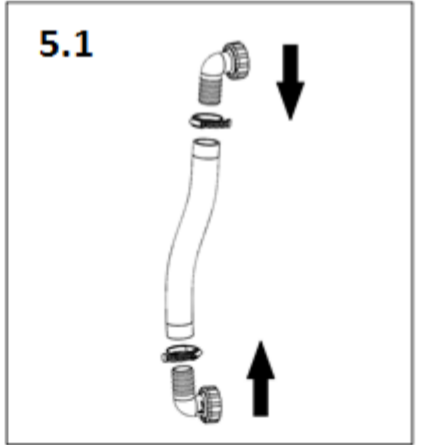
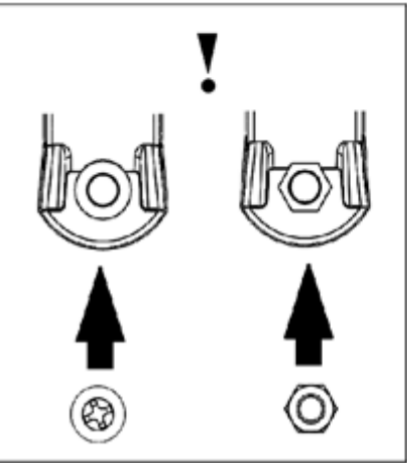
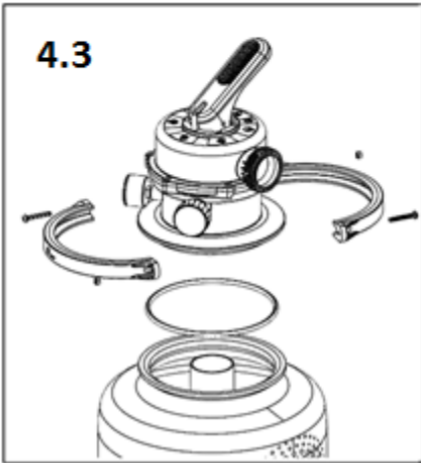
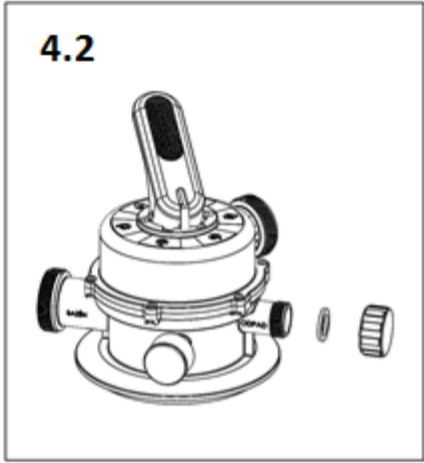
Le produit a été testé par des Tests du Gouvernement

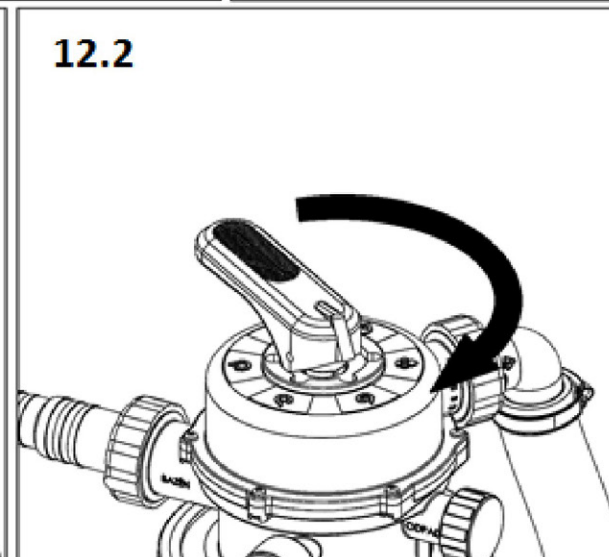
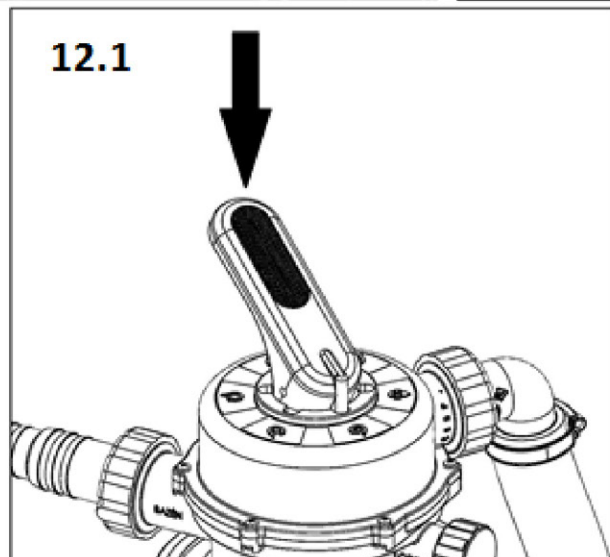
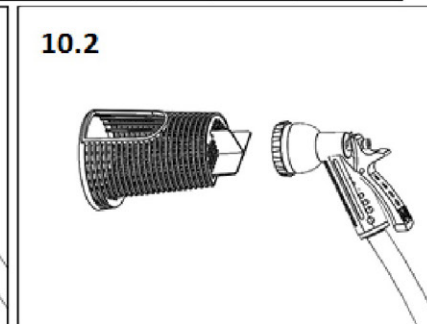
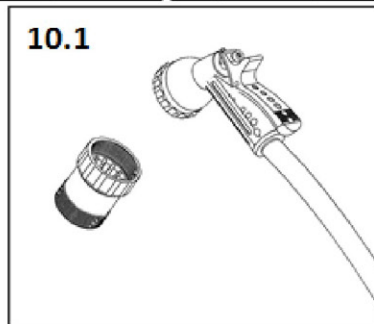
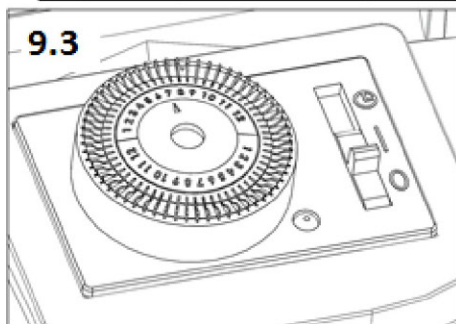
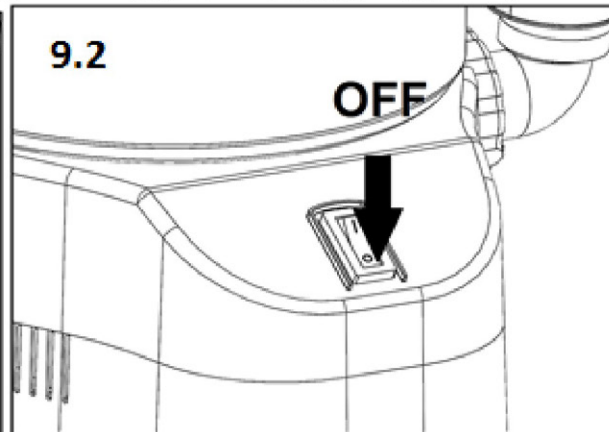
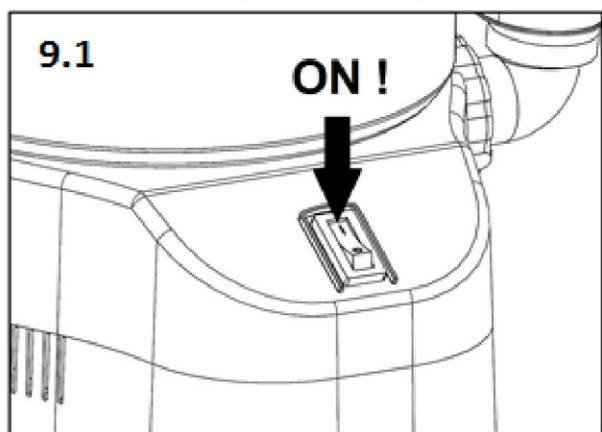
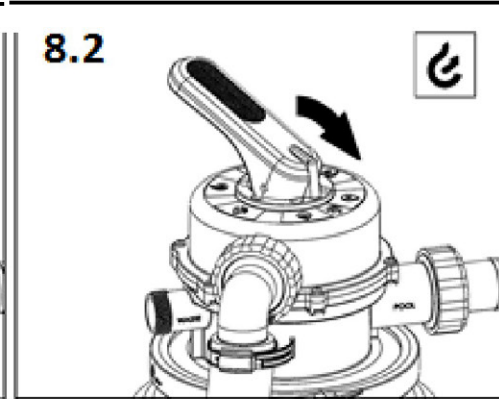
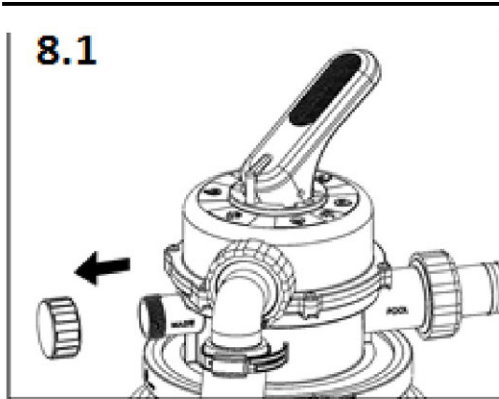
Laboratoire de machines

Dépannage

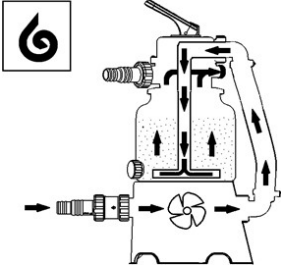
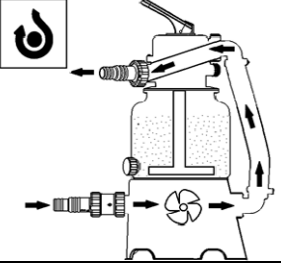
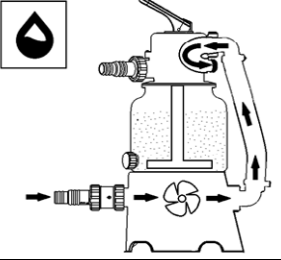
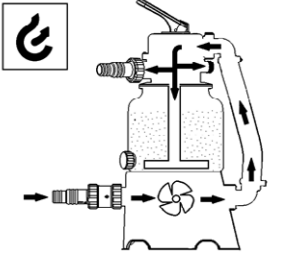
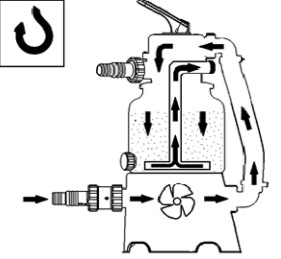
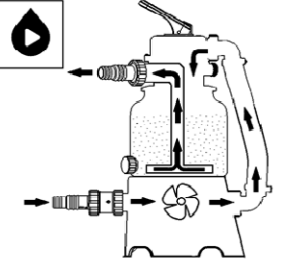
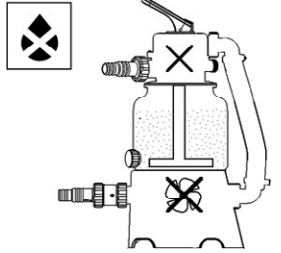
Flux continu faible ou pas de flux continu	L'équipement de filtration n'a pas été évacué.	Évacuer l'équipement de filtration.
	Levier de valve en position CLOSED.	Passer en position FILTERING.
	Sable trop sale.	RINCER ou changer le sable.
	Préfiltre bouché.	Démonter et rincer le préfiltre.
	Écumeur bouché.	Démonter et rincer le panier d'écumeur.
	Équipement de filtration endommagé	Veuillez contacter le service.
Il y a du sable qui arrive dans la piscine.	Manipulation du levier de la valve lorsque la filtration est en cours.	Arrêter la filtration avant de manipuler le levier.
	Granularité basse du sable de filtration	La granularité recommandée est de 0,6 à 1,2 mm.
	Niveau de sable élevé dans le vaisseau	Baisser le niveau de sable dans le vaisseau
La pompe aspire de l'air (il y a des bulles qui se forment dans le système)	Connexions insuffisamment serrées	Serrer délicatement les écrous pivotants.
	Fuites dans les connexions du préfiltre	Resceller les connexions.
	Joint endommagé	Vérifier le joint de connexion « en amont » de la pompe.
Il y a de l'eau qui fuit de l'appareil	Connexions fuyantes	Serrer/resceller les connexions.
	Joint endommagé	Vérifier le joint.
L'eau de la piscine ne peut pas être nettoyée.	Traitement chimique insuffisant de l'eau	Vérifier le pH et la teneur en chlore de l'eau.
	Temps de filtration insuffisant	Prolonger le temps de filtration.







Positions de valve

	<p>BACKWASH (LAVAGE A CONTRE-COURANT) – L'eau coule par le sable dans la direction opposée, nettoyant les impuretés ; au lieu de couler dans la piscine, elle est évacuée par le port « WASTE » – Enlever le capuchon !</p>
	<p>BYPASS – L'eau coule par l'appareil, contournant la charge de sable.</p>
	<p>WASTE (DECHET) – L'eau contourne la charge de sable et coule dans le port « WASTE » – Enlever le capuchon ! Cette position est utilisée pour baisser le niveau d'eau dans la piscine ou pour enlever les impuretés rugueuses.</p>
	<p>VENTING/WINTERIZING (EVACUATION/HIVERNAGE) – Dans cette position, la valve est franchissable dans toutes les directions ; l'air échappant peut causer de l'humidité dans la chambre de pompe. La position est également utilisée pour l'hivernage ou un arrêt à long-terme de l'équipement de filtration.</p>
	<p>RINSE (RINÇAGE) – Cette position est utilisée lors du fonctionnement pour la première fois avec une nouvelle charge de sable ou après BACKWASHING ; le sable soulevé se dépose et les impuretés restantes sont chassées à travers le port « WASTE » – Enlever le capuchon !</p>
	<p>FILTERING (FILTRAGE) – Position primaire de la valve, l'eau est filtrée par la charge de sable et retournée dans la piscine.</p>
	<p>CLOSED (FERMEE) – Ne pas mettre l'appareil en marche !</p>

**Filtres à sable
Azuro 2 m³/h
Azuro 4 m³/h
pour piscines hors-sol**

Manuel d'installation, d'assemblage et d'utilisation



(manuel d'utilisation original)



LIRE, COMPRENDRE ET RESPECTER ENTIEREMENT TOUTES LES INSTRUCTIONS DU MANUEL AVANT L'INSTALLATION ET L'UTILISATION DE CE PRODUIT.

GARDER LE MANUEL POUR REFERENCE ULTERIEURE.

Généralités

Fabriqué pour Mountfield a.s. par Garsys s.r.o., Zone industrielle dans la mine František, K Prádlu, 735 Horní Suchá, 735 35 ; pays d'origine : République tchèque

Consignes de sécurité



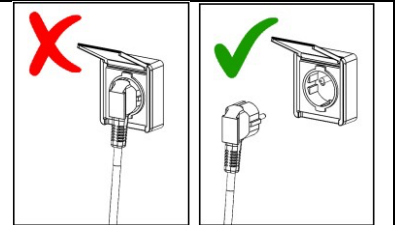
Ce symbole marque les consignes dont le non-respect peut mettre en danger la santé des personnes.



Ce symbole marque les consignes dont le non-respect peut résulter en blessures par électrocution.



DEBRANCHER L'APPAREIL DE LA SOURCE D'ALIMENTATION, SI VOUS NAGEZ DANS LA PISCINE OU LA MANIPULEZ D'UNE QUELCONQUE MANIERE.

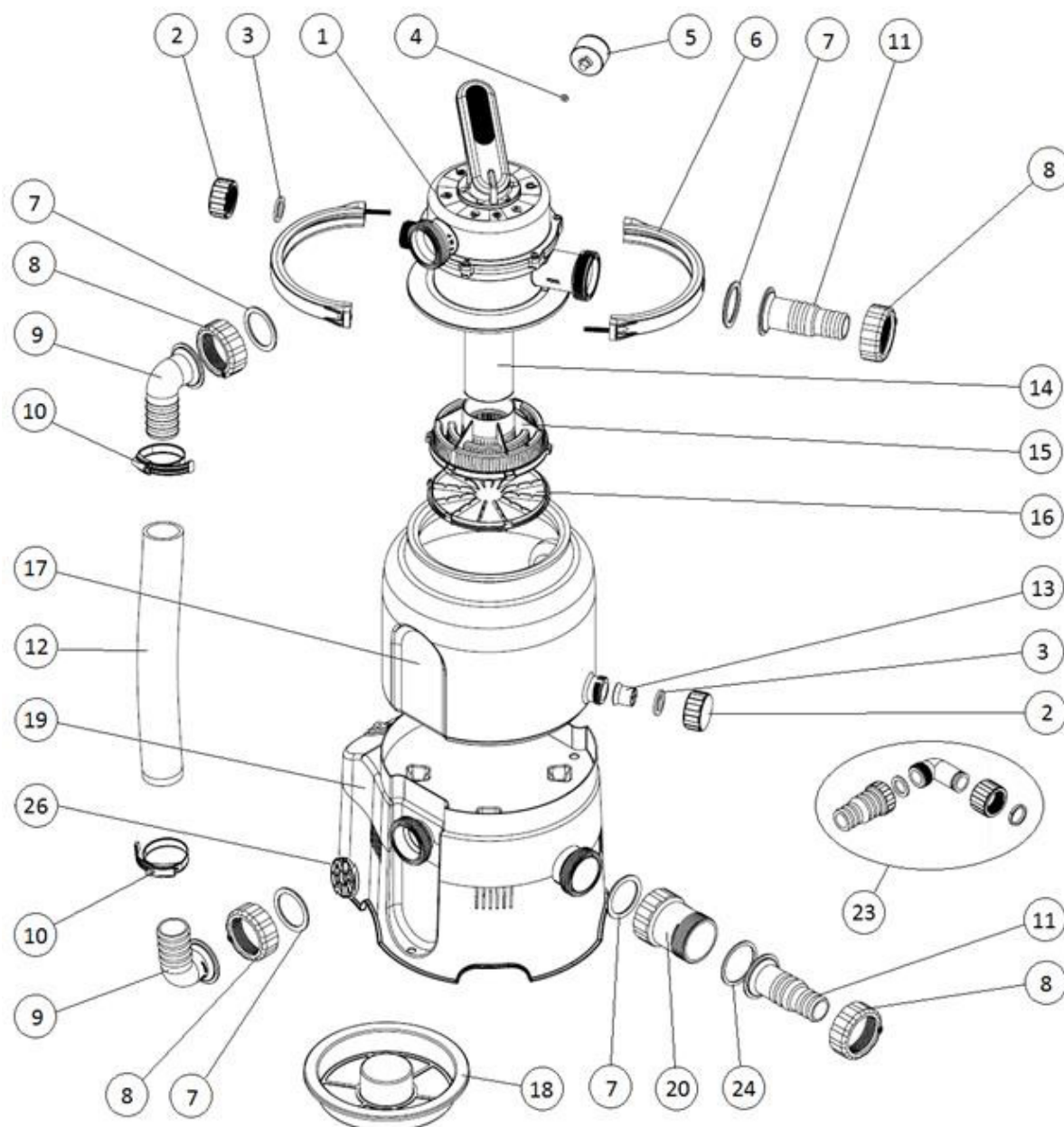


LIRE ET RESPECTER TOUTES LES INSTRUCTIONS.

Le non-respect des consignes de ce manuel peut résulter en blessures, voire mort par électrocution.

- Les enfants âgés de 8 ans et plus, et les personnes ayant des capacités physiques, sensorielles ou mentales réduites, ou n'ayant pas d'expérience ou connaissance peuvent utiliser l'appareil seulement s'ils sont surveillés ou instruits à l'utilisation sans risque de l'appareil et s'ils comprennent les dangers qui en résultent. Les enfants ne peuvent pas jouer avec l'appareil. Le nettoyage et la maintenance d'utilisateur ne peut pas être effectués par des enfants sans surveillance.
- S'assurer que la source d'alimentation de l'appareil réponde aux normes ČSN applicables et qu'elle soit placée au moins à 3,5 mètres de la piscine et protégée par un dispositif différentiel à courant résiduel avec un courant de déclenchement inférieur à 30 mA.
- L'appareil est à connecter directement à la prise électrique. Si vous vous servez d'une extension, utilisez uniquement des extensions conformes aux normes ČSN relatives à une application extérieure.
- Ne pas essayer de déconnecter le câble d'alimentation de la prise avec les mains mouillées ou lorsque vous êtes dans l'eau.
- Placer le dispositif de manière que les enfants ne puissent pas s'en servir d'outil accessoire pour entrer dans la piscine.
- Garder les enfants à une distance de sécurité de l'appareil et du câble d'alimentation. S'assurer que les enfants ne puissent pas jouer avec l'appareil
- Ne pas enfoncer le câble d'alimentation de l'appareil dans le sol (pour éviter l'endommagement). Le placer de manière que des tondeuses, des taille-haies ou des outils similaires ne puissent pas l'endommager.
- Laisser le câble d'alimentation accessible uniquement au personnel de maintenance (si la source d'alimentation doit être déconnectée).
- L'appareil doit être déconnecté du réseau avant que des personnes n'entrent dans la piscine. L'appareil ne peut pas être utilisé s'il y a des personnes dans la piscine.
- Ne jamais faire fonctionner l'appareil sans eau.
- Ne jamais faire fonctionner l'appareil s'il est endommagé ou défectueux. Tous les défauts sont à réparer immédiatement.
Utiliser des pièces de rechange originales à des fins de maintenance et de réparation.
- Ne jamais mettre en marche l'appareil si la valve à six voies est en position CLOSED ou si le circuit de tuyaux est infranchissable ; autrement il y aura un risque d'endommagement, de casse, d'avulsion des couvercles, ce qui peut entraîner des dommages corporels ou de propriété.
- Vérifier régulièrement le statut de décantation du filtre, et nettoyer le préfiltre et le panier d'écumeur pour éviter l'endommagement de la pompe et assurer le fonctionnement conforme du système.

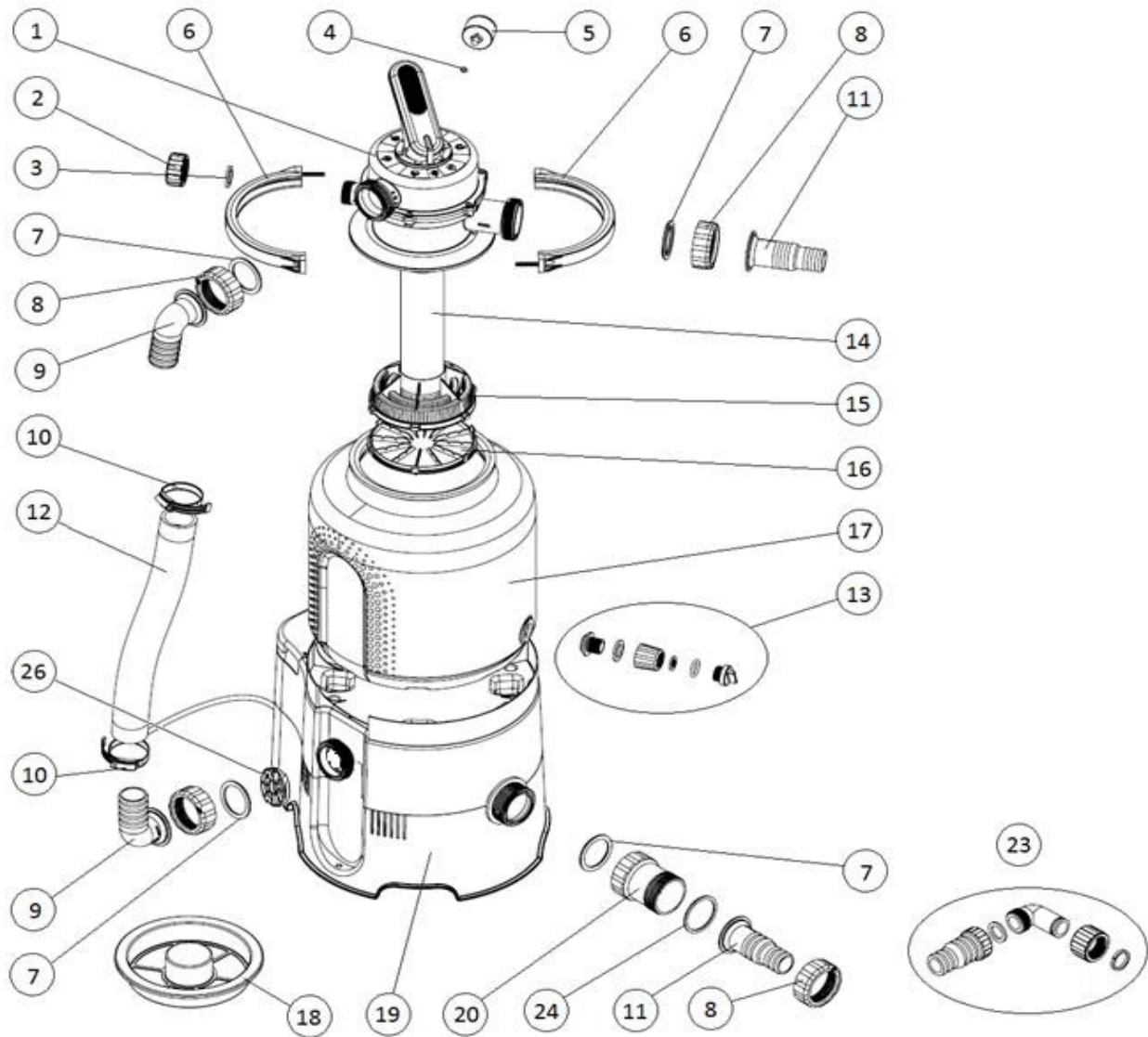
Liste des composants – AZURO 2 m³/h



Élément	Nom	Quantité
1	Valve multivoie	1
2	Bouchon	2
3	Joint de couvercle plat	2
4	Joint de manomètre plat	1
5	Manomètre	1
6	Manchon de valve 1/2, avec des matériels de connexion	2
7	Joints en forme de broche et de coude	4
8	Écrous en forme de broche et de coude	4
9	Coude D38	2
10	Collier de serrage 40-60	2
11	Broche D32/38	2
12	Tuyaux interconnectés	1
13	Crépine d'évacuation	1

Élément	Nom	Quantité
14	Tuyau d'aspiration	1
15	Panier d'aspiration	1
16	Panier d'aspiration inférieur	1
17	Vaisseau	1
18	Trémie	1
19	Base avec pompe	1
20	Préfiltre	1
21	Tuyau de piscine – 3 pièces	2
22	Collier de serrage 25-40	4
23	Kit de déchet	1
24	Joint de préfiltre plat	1
25	Bande de téflon	1
26	Grille de protection d'intrusion de corps étrangers	1

Liste de composants – AZURO 4 m³/h



Élément	Nom	Quantité
1	Valve multivoie	1
2	Bouchon	1
3	Joint de couvercle plat	1
4	Joint de manomètre plat	1
5	Manomètre	1
6	Manchon de valve 1/2, avec des matériels de connexion	2
7	Joints en forme de broche et de coude	4
8	Écrous en forme de broche et de coude	4
9	Coude D38	2
10	Collier de serrage 40–60	2
11	Broche D32/38	2
12	Tuyaux interconnectés	1
13	Boulonnage d'évacuation	1

Élément	Nom	Quantité
14	Tuyau d'aspiration	1
15	Panier d'aspiration	1
16	Panier d'aspiration inférieur	1
17	Vaisseau	1
18	Trémie	1
19	Base avec pompe	1
20	Préfiltre	1
21	Tuyau de piscine – 3 pièces	2
22	Collier de serrage 25–40	4
23	Kit de déchet	1
24	Joint de préfiltre plat	1
25	Bande de téflon	1
26	Grille de protection d'intrusion de corps étrangers	1

Objectif

Cette unité de filtration est conçue pour filtrer l'eau dans des piscines hors-sol. Elle ne convient pas pour les piscines fonctionnant tout au long de l'année. La pompe de filtration n'est pas de type d'aspiration automatique, c'est la raison pour laquelle la filtration doit être installée au dessous du niveau d'eau dans la piscine, avec des eaux naturelles.

AVERTISSEMENT : Les images de ce manuel sont purement illustratives et peuvent différer du produit proprement dit. Nous nous réservons le droit de modifier partiellement ou entièrement le produit sans préavis.

Conditions d'utilisation de l'unité de filtration

- pH d'eau de 6 à 8,5
- teneur en chlore maximale de 10 mg/l
- teneur en sel maximale de 0,5%

Avant la mise en service

Avant l'installation et la mise en service de l'appareil, déballer tous les composants. Garder l'équipement de filtration à une distance de sécurité de ses environs (permettant l'utilisation sans risque).

L'équipement de filtration doit être posé sur une plateforme (p.ex. plancher de béton, etc.) La plateforme doit être posée et nivelée par un niveau à bulle. L'appareil ne peut pas être posé sur pelouse, comme il peut se surchauffer.

S'assurer que l'appareil ne peut pas être inondé. L'inondation peut endommager le produit ou exposer les personnes au risque de l'électrocution.

Si la piscine est déjà partiellement ou entièrement remplie, l'appareil de filtration doit être installé dans un arbre de filtration qui sera connecté à la piscine. Si votre équipement de filtration est installé dans un arbre, assurez-vous que l'arbre ne peut pas être inondé de l'eau. Pour éviter l'inondation, il est recommandé de le caillouter (afin que les petites quantités d'eaux soient absorbées) et de créer un drainage d'égouts direct. Il est important d'assurer la bonne ventilation de l'arbre, autrement l'appareil peut être endommagé à cause de la condensation d'eau.

Les accessoires requis, comme les tuyaux, les colliers de serrage et le sable de filtration (non inclus dans l'emballage) sont disponibles auprès du vendeur.



Ne pas faire fonctionner à sec (sans eau) !!! Une telle utilisation de l'équipement de filtration entraîne la perte de la garantie.

Données techniques

	AZURO 2 m ³ /h	AZURO 4m ³ /h
Tension	230 V / 50 Hz	230 V / 50 Hz
Consommation d'énergie	85 W	190 W
Débit du système	2 m ³ /h	4 m ³ /h
Classe de protection	IP X5	IP X5
Décharge	1,5 m	1,5 m
Diamètre du filtre	143 mm	143 mm
Surface de filtration effective	0,036 m ²	0,036 m ²
Pression de service	0,2 bar	0,3 bar
Pression d'utilisation maximale	0,4 bar	0,6 bar
Température d'eau maximale	35 °C	35 °C
Charge de sable	10 kg	14 kg
Granularité	0,6 - 1,2 mm	0,6 - 1,2 mm



Protégez l'environnement ! NE PAS jeter ce produit avec les ordures ménagères. Le produit comprend des composants électriques/électroniques. Conformément à la directive européenne 2012/19/EU, les appareils électriques et électroniques ne peuvent pas être jetés avec le déchet commun – il faut les emmener aux points de collecte dédiés pour être éliminés d'une manière consciencieuse de l'environnement. Les informations relatives à ces points sont disponibles à l'Hôtel de ville.

Assemblage

Note : Comme toutes les connexions sont munies de joints, il n'est pas nécessaire de trop serrer les écrous. Cela peut endommager les pièces plastiques.

Note : Vous aurez besoin d'un tournevis cruciforme pour l'assemblage.

1. Montage du boulonnage d'évacuation dans le vaisseau.

Mettre le contre-élément fileté à travers l'ouverture d'évacuation du vaisseau depuis l'intérieur (**FIG. 1.1**) Mettre un joint sur le filetage en saillie et visser le raccord (**FIG. 1.2**). Mettre la crépine de sable dedans. Pousser la crépine vers l'intérieur en vissant le couvercle avec le joint torique (**FIG. 1.3**). Il suffit de serrer à la main pour l'étanchéité de la connexion. Vous pouvez endommager les pièces si vous utiliser des pinces.

1.A Pour les vaisseaux de 10 l avec raccord d'évacuation, procéder comme suit :

Mettre la crépine d'évacuation à travers l'ouverture d'évacuation du vaisseau depuis l'intérieur (**FIG. 1.4**) Visser le couvercle avec un joint sur le raccord (**FIG. 1.5**). Il suffit de serrer à la main pour l'étanchéité de la connexion. Vous pouvez endommager les pièces si vous utiliser des pinces.

2. Installation du panier d'aspiration

Connecter le fond du panier au panier d'aspiration lui-même en le cliquant dans les 6 verrouillages autour de son périmètre. Mettre un tuyau d'aspiration dans le panier d'aspiration assemblé (**FIG. 2.1**). Mettre l'unité dans le vaisseau vide (**FIG. 2.2**) et fixer sa position en installant la trémie (**FIG. 2.3**). Le vaisseau est prêt à être rempli.

3. Remplissage avec du sable

Avant de remplir, nous vous conseillons de poser le vaisseau sur la plateforme de pompe. Le vaisseau rempli est difficile à manipuler. Ajuster les écumeurs du côté vaisseau avec les écumeurs dans le support ; le boulonnage d'évacuation doit être orienté vers la direction opposée à l'interrupteur (**FIG. 3.1**).

Avec la trémie installée, remplir le vaisseau avec la quantité nécessaire de sable (**FIG. 3.2**). Le niveau de sable dans le vaisseau doit atteindre le haut des écumeurs de côté (**FIG. 3.3**). Ensuite, démonter la trémie et enlever les grains de sable et d'autres impuretés de la surface de connexion de la prise de vaisseau.

4. Installation de la valve multivoie

Mettre un joint torique à travers le fond de la valve et mettre la valve sur la prise du vaisseau rempli. Ajuster la valve de manière que sa prise de PUMP/ČERP soit orientée vers la même direction que la sortie de pompe dans le support de vaisseau. Ensuite, mettre les deux moitiés de manchon dans le logement de vaisseau, les connecter avec des boulons (**FIG. 4.3**) et les serrer uniformément.

Insérer un petit joint de caoutchouc dans l'ouverture du manomètre, visser le corps du manomètre (**FIG. 4.1**) à la main, et le serrer légèrement.

!!! S'assurer que le vissage est correctement fait ; autrement vous pouvez endommager le filetage fine !!!

Visser le couvercle avec un joint sur le port WASTE/ODPAD (**FIG. 4.2**).

5. Installation du tuyau de connexion

Mettre les colliers de serrage sur le tuyau, mettre les coudes avec des écrous pivotant aux deux extrémités du tuyau (**FIG. 5.1**). Insérer la grille à particules dans la sortie de côté de la pompe (**FIG. 5.2**) ; ensuite, connecter le tuyau préparé à cette sortie et le port PUMP/ČERP de la valve en utilisant des écrous pivotants et des joints (**FIG. 5.3**).

!!! Les colliers de serrage sont à serrer seulement après avoir serré les écrous pivotants !!!

6. Assemblage du préfiltre et de la broche

Monter le préfiltre transparent sur la prise d'aspiration de la pompe, ensuite monter la broche de connexion du tuyau sur le préfiltre (**FIG. 6.1**).

!!! Attention à la forme des joints utilisés !!!

6.A Pour l'équipement de filtration Azuro 6m³/h + Minuteur à préfiltre large, procéder comme suit :

Tirer le corps du préfiltre avec le joint sur la prise de pompe, et utiliser un écrou pivotant à l'intérieur du préfiltre ; mettre le panier d'impuretés sur le préfiltre et le fermer par un couvercle avec joint torique. Utiliser un écrou pivotant pour monter le coude avec un joint sur la prise (**FIG. 6.2**).

!!! Attention à la forme des joints utilisés !!!

Visser la deuxième broche de tuyau de connexion sur le port POOL/BAZÉN de la valve (**FIG. 6.3**) / du coude (**FIG. 6.4**).

7. Connecter l'appareil à la piscine – voir FIG. 7.1. et 7.2.

Utiliser des tuyaux de piscine et des colliers de serrage adéquats pour connecter l'appareil à la piscine.

Utilisation du produit

1. MISE SOUS EAU/ÉVACUATION DE LA POMPE

Enlever le couvercle du port « ODPAD/WASTE » (FIG. 8.1), tourner le levier de la valve dans la position VENTING, et attendre jusqu'à ce que l'eau ne commence à couler par le port (FIG. 8.2). Ensuite, tourner le levier de la valve en position CLOSED, et revisser le couvercle. Finalement, tourner le levier en position FILTERING. Maintenant, vous pouvez démarrer le filtrage.

Avant la première utilisation ou après le rechargement du sable, il faut d'abord rincer le sable.

2. Démarrage

Utiliser l'interrupteur à l'arrière de l'équipement de filtration pour mettre en marche l'appareil.

MARCHE – FIG. 9.1

ARRÊT – FIG. 9.2



Avant de connecter l'appareil au réseau, vérifier la position de la valve !

Ne jamais mettre en marche l'appareil si la valve à six voies est en position FERMEE ou si le circuit de tuyaux est infranchissable.

2.A Équipement Azuro avec les fonctionnalités marquées « T » comprend un minuteur ajustable (FIG. 9.3) :

Utiliser l'interrupteur mobile pour sélectionner la fonctionnalité souhaitée. Le minuteur peut être réglé par des intervalles de 20 minutes, dans un cycle de 24 heures. Une intervalle correspond à 20 minutes, ainsi 3 intervalles sont égales à 1 heure. L'indicateur LED montre que la machine est en marche.

3. Fonctionnement

Tourner la valve en position FILTERING, et mettre l'appareil en marche. Vérifier régulièrement le flux continu de filtration (pression sur le manomètre) et rincer le sable selon les valeurs mesurées.

Il est recommandé de configurer le programme de filtration de manière qu'il corresponde à la taille et à l'utilisation de la piscine. La filtration adéquate est conditionnée à ce que l'eau soit filtrée au moins une fois par jour. Ainsi, le temps de fonctionnement minimum de l'équipement de filtration est le volume de la piscine divisée par le débit de l'équipement de filtration.

Par exemple : Lors de l'utilisation de l'AZURO 2 m³/hr pour filtrer une piscine de 10m³, le temps minimum serait de 5 heures.

4. Nettoyage du préfiltre

Si le préfiltre est visiblement sale ou les fonctionnalités de l'équipement de filtration sont diminuées, nettoyer le préfiltre avec du jet d'eau (FIG. 10.1). AZURO 6m³/h + Minuteur (FIG. 10.2).

5. Lavage du sable à contre-courant

Par la pression du vaisseau, il est possible de définir quand il est nécessaire de rincer le moyen de filtration. Après la première opération avec du sable de filtration propre, noter la valeur de pression ; si la pression monte par la suite plus qu'une unité sur l'échelle, vous devez effectuer un BACKWASH (2–3 minutes) + RINSE (environ 30 secondes) – voir « Positions de valve ». Si la filtration est utilisée chaque jour, il est recommandé de rincer le sable au moins une fois par jour.

Pour les fonctions de filtrage comme BACKWASH, RINSE et WASTE, vous pouvez utiliser le kit de déchet – visser la broche (ou un coude avec la broche du tuyau de déchet) directement sur le port « WASTE » au lieu d'un capuchon.

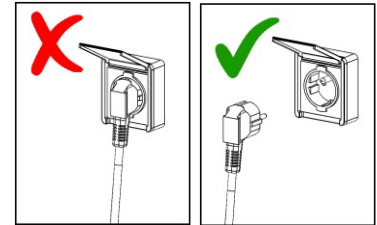
LORS DE L'EVACUATION DE L'EAU PAR LE PORT « WASTE », S'ASSURER DE SE CONFORMER A TOUTES LES EXIGENCES LEGALES RELATIVES A LA GESTION DES EAUX USEES. NE PAS LAISSER COULER L'EAU VERS DES ENDROITS OÙ ELLE PEUT CAUSER DES DOMMAGES PAR INONDATION. LE PORT « WASTE » PEUT ÊTRE MUNI D'UN FILTRAGE DE CONNEXION DE TUYAU DE DECHET. LORS DU FILTRAGE, LE PORT « WASTE » DOIT ÊTRE FERMÉ PAR UN CAPUCHON.

Contrôle de la valve multivoie



Avant de changer la position de la valve, toujours déconnecter l'appareil du réseau électrique.

Avant toute manipulation, attendre environ 30 secondes suivant l'arrêt de la pompe et laisser les impuretés et le sable se déposer.



Pousser le levier vers le bas (**FIG. 12.1**), le tourner dans la position souhaitée (**FIG. 12.2**).

Entretien

Les impuretés visibles sont enlevées par l'utilisation du système de filtration. Pourtant, ce n'est pas le cas concernant les algues, les bactéries et les microorganismes qui représentent un obstacle constant pour avoir de l'eau propre et sûre dans votre piscine. Il existe plusieurs produits préventifs spéciaux qui, en une concentration adéquate, agissent contre tout ce qui précède, et maintiennent l'eau de votre piscine hygiéniquement saine et propre.

Maintenance

Pendant la saison de nage, vérifier régulièrement le fonctionnement de l'appareil. Cela est important pour identifier et remédier les défauts potentiels. Le fournisseur ne peut pas être tenu responsable des dommages causés par l'unité de filtration ou les défauts de l'équipement électrique.

Rincer le sable régulièrement. Si le rinçage n'améliore pas la perméabilité du sable de filtration (la valeur du manomètre reste élevée), changer le sable.

Ne pas utiliser de solvant pour nettoyer le capuchon de filtre ou le vaisseau lui-même, car vous pouvez endommager sa surface (elle peut perdre sa brillance, transparence etc.).

Hivernage

A la fin de la saison, il est nécessaire de nettoyer, vider, démonter et stocker l'équipement de filtration. Déconnecter l'équipement de filtration de la piscine et utiliser la valve d'évacuation, située au fond du vaisseau de filtration, pour évacuer l'eau du vaisseau.

Ouvrir le vaisseau de filtration et enlever le sable. Nettoyer le sable et enlever tous les mottes et boules. Changer le sable du vaisseau régulièrement.

En tant que préparation à l'hiver, rassembler l'équipement de filtration et le stocker dans un endroit sec et résistant à l'hiver. Tourner le levier de la valve en position VENTING/WINTERIZING, ce qui sert à l'hivernage de l'équipement de filtration.

Conditions de garantie et de réparation

Les conditions de garantie s'appliquent comme décrites dans le certificat de garantie du vendeur.

Si vous avez besoin de conseils, de l'assistance ou de pièces de rechanges, veuillez contacter votre revendeur. Utiliser des pièces de rechange originales à des fins de maintenance et de réparation.

Tests de produit

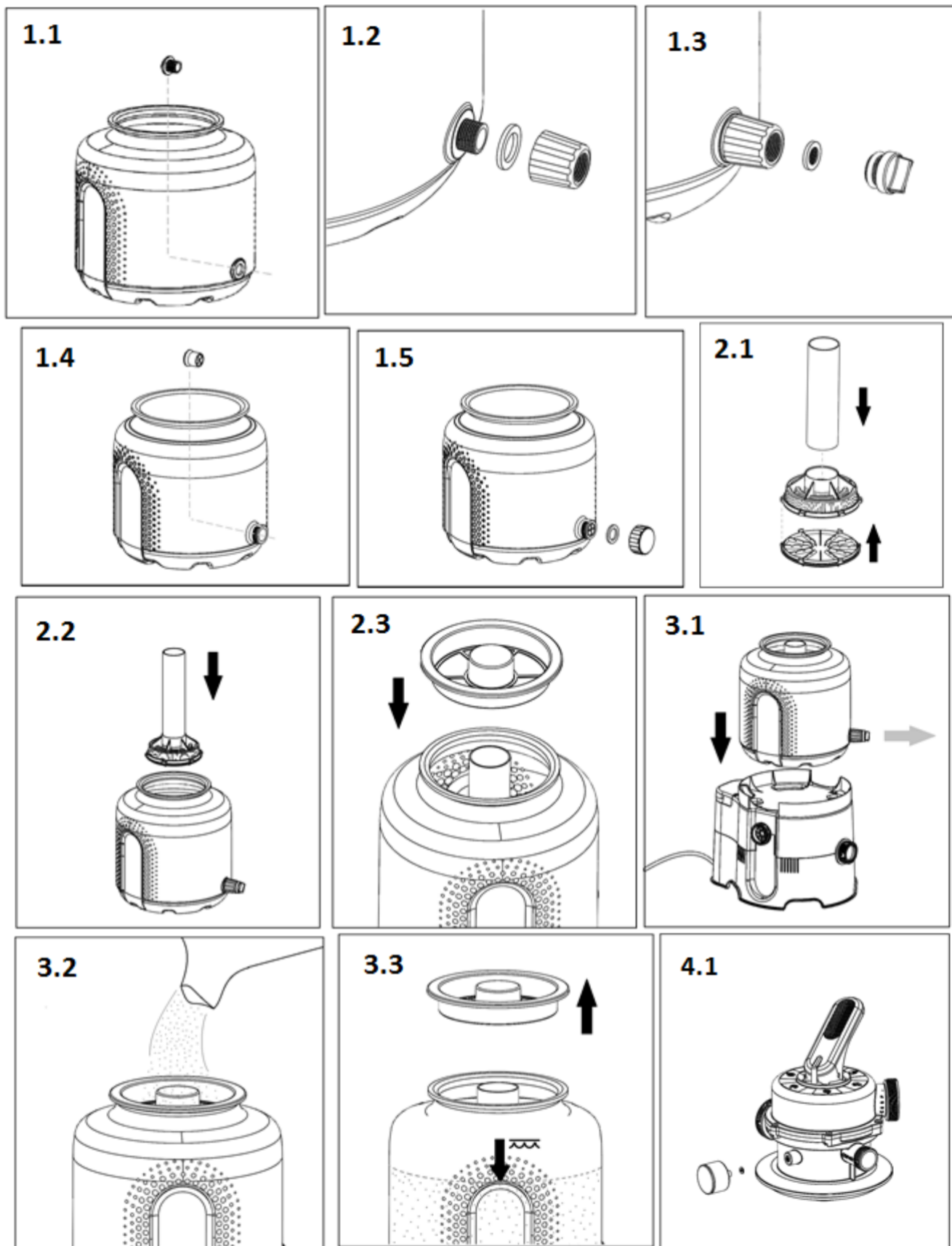
Le produit est soumis à la norme EN 60335-2-41 et conforme aux directives 2006/42/ES (directive sur les machines), 2014/30/UE (compatibilité électromagnétique), 2014/35/UE (équipements électriques) et aux exigences de la directive RoHS sur la teneur en substances dangereuses dans les équipements électriques.

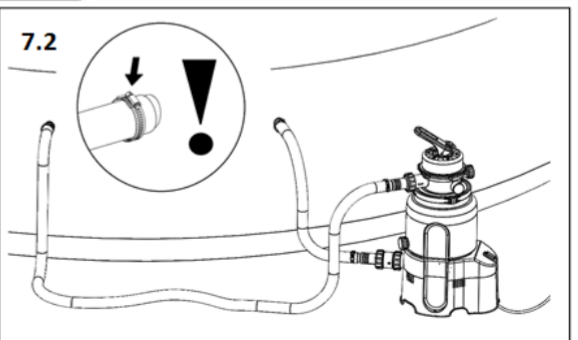
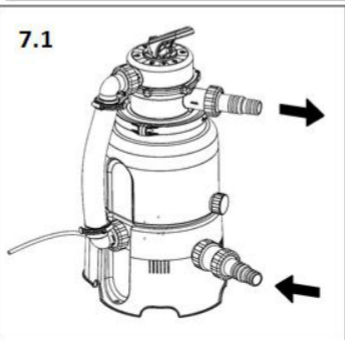
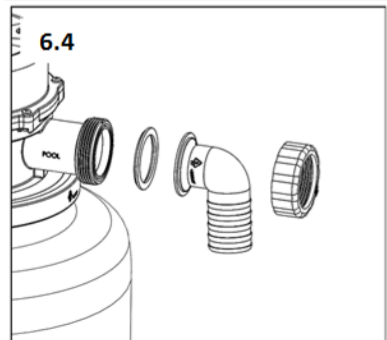
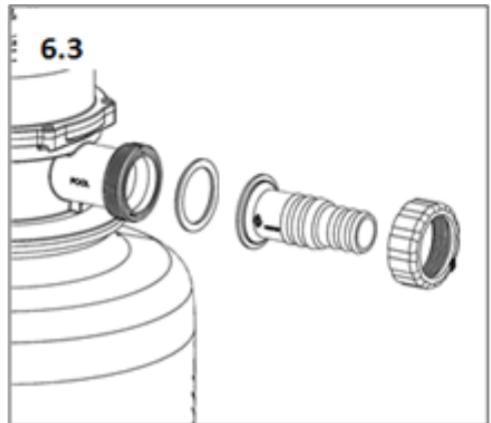
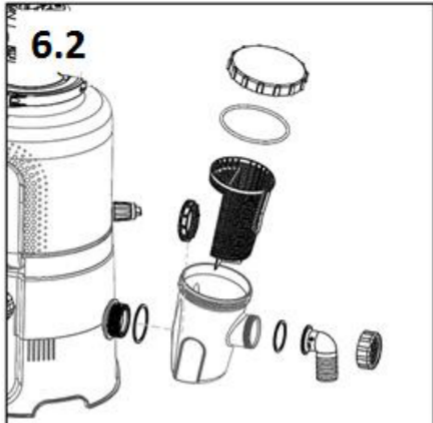
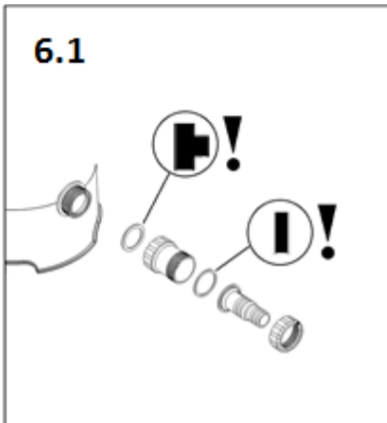
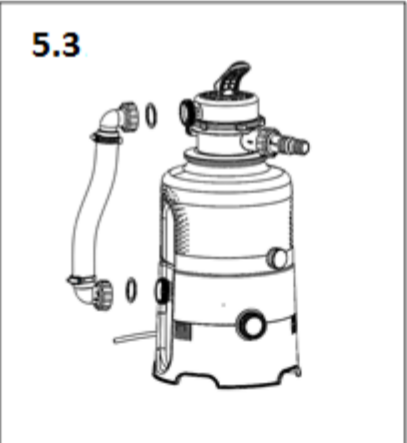
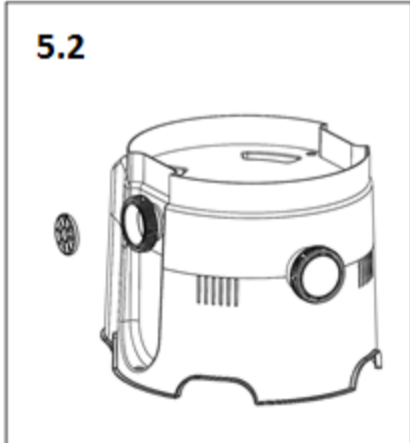
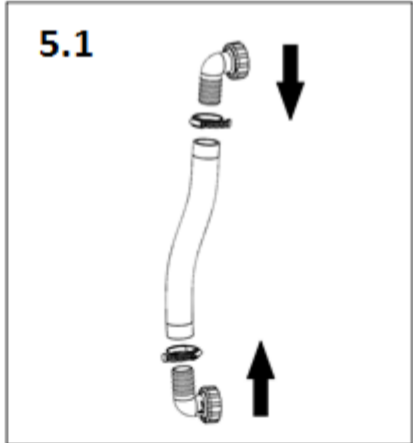
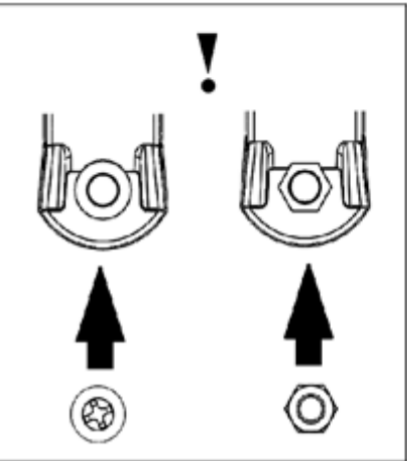
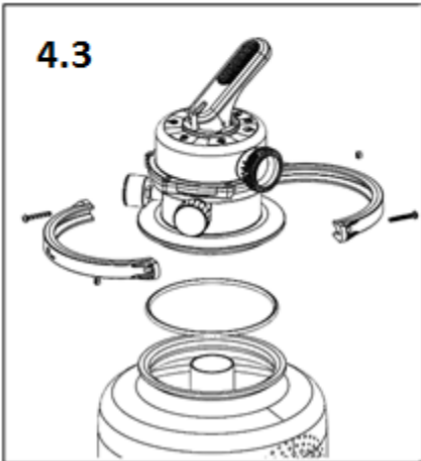
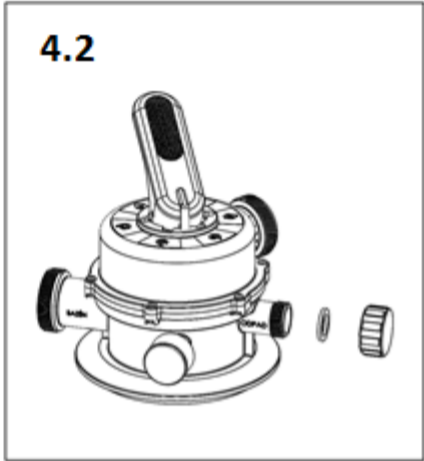
Le produit a été testé par des Tests du Gouvernement

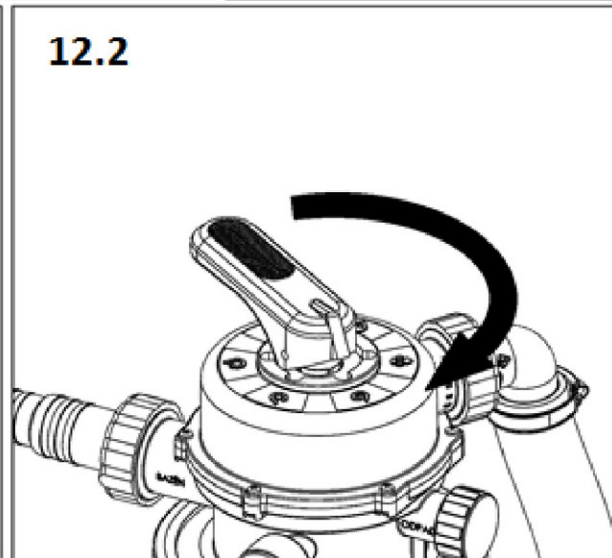
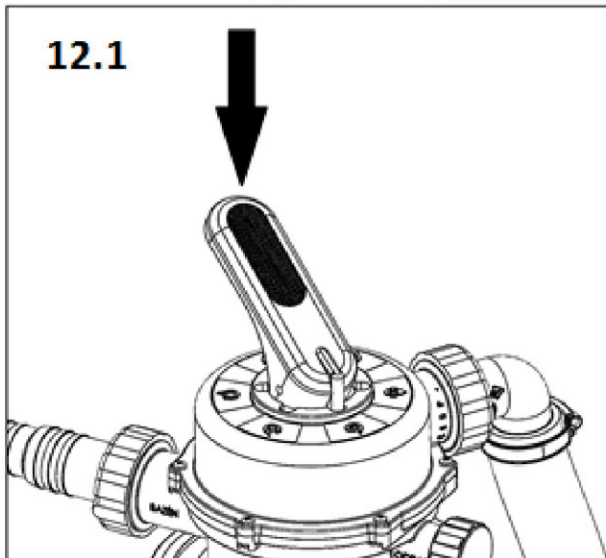
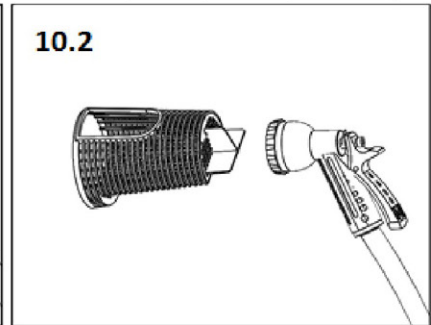
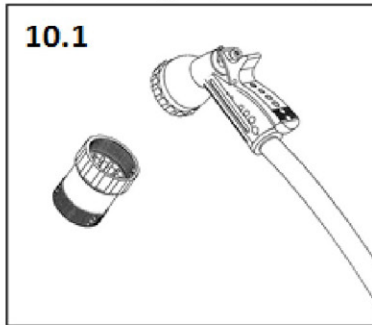
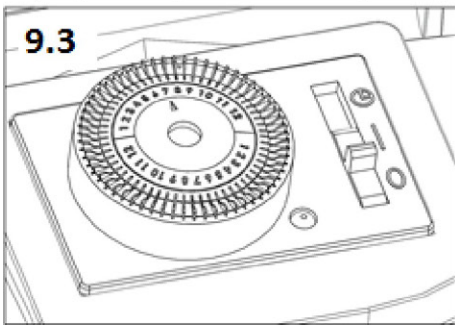
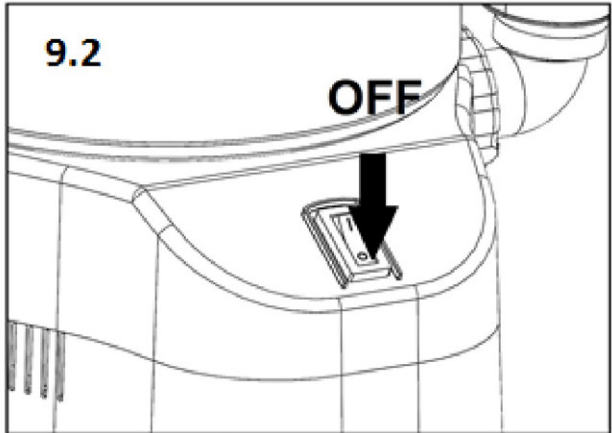
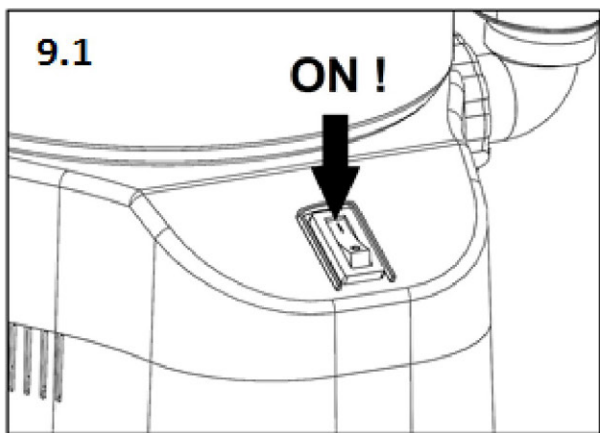
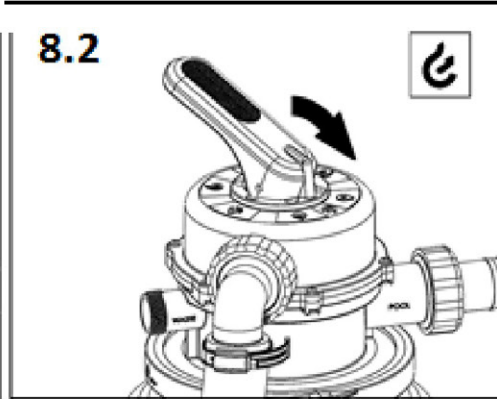
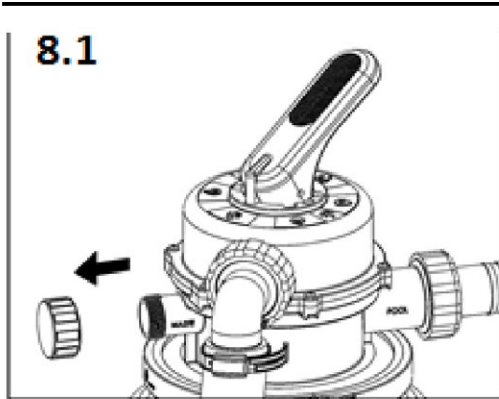
Laboratoire de machines

Dépannage

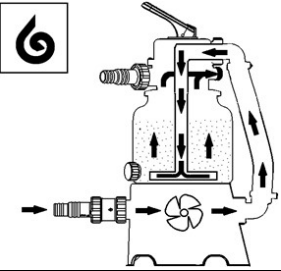
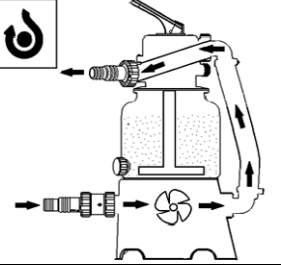
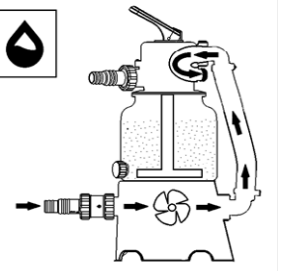
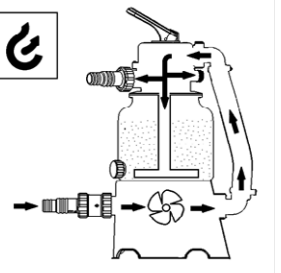
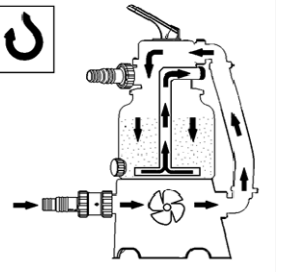
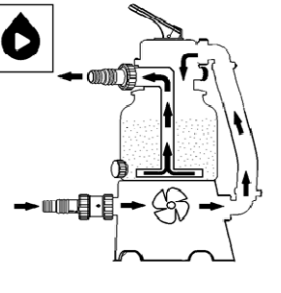
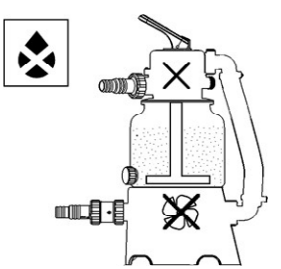
Flux continu faible ou pas de flux continu	L'équipement de filtration n'a pas été évacué.	Évacuer l'équipement de filtration.
	Levier de valve en position CLOSED.	Passer en position FILTERING.
	Sable trop sale.	RINCER ou changer le sable.
	Préfiltre bouché.	Démonter et rincer le préfiltre.
	Écumeur bouché.	Démonter et rincer le panier d'écumeur.
	Équipement de filtration endommagé	Veuillez contacter le service.
Il y a du sable qui arrive dans la piscine.	Manipulation du levier de la valve lorsque la filtration est en cours.	Arrêter la filtration avant de manipuler le levier.
	Granularité basse du sable de filtration	La granularité recommandée est de 0,6 à 1,2 mm.
	Niveau de sable élevé dans le vaisseau	Baisser le niveau de sable dans le vaisseau
La pompe aspire de l'air (il y a des bulles qui se forment dans le système)	Connexions insuffisamment serrées	Serrer délicatement les écrous pivotants.
	Fuites dans les connexions du préfiltre	Resceller les connexions.
	Joint endommagé	Vérifier le joint de connexion « en amont » de la pompe.
Il y a de l'eau qui fuit de l'appareil	Connexions fuyantes	Serrer/resceller les connexions.
	Joint endommagé	Vérifier le joint.
L'eau de la piscine ne peut pas être nettoyée.	Traitement chimique insuffisant de l'eau	Vérifier le pH et la teneur en chlore de l'eau.
	Temps de filtration insuffisant	Prolonger le temps de filtration.







Pozițiile supapei

	<p>SPĂLARE ÎN CONTRACURRENT - apa curge prin nisip în direcția opusă, spălând impuritățile; în loc să curgă înapoi la piscină, este scursă prin portul „REZIDUURI” - scoateți capacul!</p>
	<p>OCOLIRE - apa curge prin aparat, ocolind umplutura de nisip.</p>
	<p>REZIDUURI - apa ocolește umplutura de nisip și curge în portul „REZIDUURI” - scoateți capacul! Această poziție este utilizată pentru a reduce nivelul apei în piscină sau pentru a extrage impuritățile grosiere.</p>
	<p>AERISIRE/PREGĂTIREA PENTRU IARNĂ - în această poziție, supapa este permeabilă în toate direcțiile; aerul care scapă provoacă udarea camerei pompei. Poziția este utilizată și pentru pregătirea pentru iarnă sau închiderea pe perioade îndelungate a echipamentelor de filtrare.</p>
	<p>CLĂTIRE - această poziție este utilizată atunci când rulați pentru prima dată cu nisip nou umplut sau după SPĂLAREA ÎN CONTRACURRENT; nisipul amestecat se depune și impuritățile rămase sunt eliminate prin orificiul „REZIDUURI” - scoateți capacul!</p>
	<p>FILTRARE - poziția primară a supapei; apa este filtrată prin umplutura de nisip și returnată la piscină.</p>
	<p>ÎNCHIS - nu porniți aparatul!</p>

